

ROTTLER

LOCATOR CATALOG



ORDERING PROCEDURE

Contact your regional Rottler sales rep for assistance in ordering optional equipment, replacement parts, or tooling.

If you are unable to contact your regional Rottler sales rep, call the factory at 253-872-7050 and ask to speak to the parts sales specialist.

Have the following information handy to expedite the ordering process:

1. Your name, business name, and contact number
2. Customer number
3. If you don't have a customer number, your billing address
4. Shipping address if different from billing address
5. Machine model and serial number
6. Part number and description of what you want to order
7. Preferred method of shipment

You may also contact us via e-mail with the above information. Send e-mail requests to: parts@rottermfg.com or intlparts@rottermfg.com

In some cases you may be requested to send a photo of the part you are ordering if it is a replacement part, or doesn't appear in the database.

If you are unsure which part you need to order, contact our service department and ask to speak to one of our service consultants. They will assist you in determining which part you require.

THERE IS A MINIMUM ORDER OF \$25.00



ROTTLER LOCATORS

Contents

Main & Cam Bearing Locator Assemblies for Rottler 4th Axis Fixture 1

650-3-68 Locator, Assembly, (Small Block Chevy) 1

650-3-68A Locator, Assembly, (Ford 289/302)..... 1

650-3-68B Locator, Assembly, (Big Block Chevy) 2

650-3-68C Locator, Assembly, (Ford 460)..... 2

650-3-68D Locator, Assembly, (Morpar 360) 2

650-3-68E Locator, Assembly, (Chevy 63mm)..... 3

650-3-68F Locator, Assembly, (Chevy 58mm)..... 3

650-3-68G Locator, Assembly, (Chevy Bowtie)..... 3

650-3-68H Locator, Assembly, (Ford 351W) 4

650-3-68J Locator, Assembly, (Small Block Chevy 400)..... 4

650-3-68K Locator, Assembly, (Mopar 318)..... 4

650-3-68L Locator, Assembly, (Chevy 327) 5

650-3-68M Locator, Assembly, (Chevy 5.3L (“99&Up”))..... 5

650-3-68N Locator, Assembly, (Buick/Olds/Pontiac 350/400)..... 5

650-3-68P Locator, Assembly, (Ford 351C) 6

650-3-68Q Locator, Assembly, (Mopar 383/426/440)..... 6

650-3-68R Locator, Assembly, (Chevy Gen3 LS1/LS6)..... 6

650-3-68S Locator, Assembly, (GM 6.5 Liter V8)..... 7

650-3-68T Locator, Assembly, (Chevy LS7) 4th Axis..... 7

Individual Main Locators for 650-3-59 4th Axis Fixture 8

650-3-72H Locator - Main #5 (2.1253 - 2.1263” bore) (53.98 - 54.00mm).....8

650-3-72J Locator - Main #1 (2.1253 - 2.1263” bore) (53.98 - 54.00mm)8

650-3-88C Locator - Main #5 (2.1440 - 2.1455” bore) (54.46 - 54.50mm).....8

650-3-88D Locator - Main #1 (2.1440 - 2.1455” bore) (54.46 - 54.50mm).....8

650-3-71E Locator - Main #5 (2.2367 - 2.2377” bore) (56.81 - 56.84mm).....8

650-3-71F Locator - Main #1 (2.2367 - 2.2377” bore) (56.81 - 56.84mm)8

650-3-72T Locator - Main #5 (2.2820 - 2.2835” bore) (57.96 - 58.00mm)9

650-3-88G Locator - Main #5 (2.2995 - 2.3005” bore) (58.41 - 58.43mm).....9

650-3-88H Locator - Main #1 (2.2995 - 2.3005” bore) (58.41 - 58.43mm).....9

650-3-72F Locator - Main #5 (2.3228 - 2.3237” bore) (58.99 - 59.02mm)9

650-3-72G Locator - Main #1 (2.3228 - 2.3237” bore) (58.99 - 59.02mm).....9



650-3-72D Locator - Main #5 (2.3745 - 2.3755" bore) (60.31 - 60.33mm)..... 9

650-3-72E Locator - Main #1 (2.3745 - 2.3755" bore) (60.31 - 60.33mm)..... 10

650-3-69F Locator - Main #1 (2.4412 - 2.4427" bore) (62.01 - 62.04mm)..... 10

650-3-69A Locator - Main #5 (2.4412 - 2.4428" bore) (62.01 - 62.05mm)..... 10

650-3-72V Locator - Main #5 (2.4780 - 2.4795" bore) (62.94 - 62.98mm)..... 10

650-3-72W Locator - Main #1 (2.4780 - 2.4795" bore) (62.94 - 62.98mm)..... 10

650-3-69K Locator - Main #5 (2.4897 - 2.4912" bore) (63.24 - 63.28mm)..... 10

650-3-69L Locator - Main #1 (2.4897 - 2.4912" bore) (63.24 - 63.28mm)..... 11

650-3-72P Locator - Main #5 (2.5187 - 2.5197" bore) (63.97 - 64.00mm)..... 11

650-3-72Q Locator - Main #1 (2.5187 - 2.5197" bore) (63.97 - 64.00mm)..... 11

650-3-69E Locator - Main #1 (2.6406 - 2.6421" bore) (67.07 - 67.11mm)..... 11

650-3-69 Locator - Main #5 (2.6406 - 2.6420" bore) (67.07 - 67.11mm)..... 11

650-3-88L Locator - Main #5 (2.6605 - 2.6615" bore) (67.58 - 67.60mm)..... 11

650-3-88M Locator - Main #1 (2.6605 - 2.6615" bore) (67.58 - 67.60mm)..... 12

650-3-71R Locator - Main #5 (2.6758 - 2.6760" bore) (68.97 - 67.97mm)..... 12

650-3-71S Locator - Main #1 (2.6758 - 2.6760" bore) (68.97 - 67.97mm)..... 12

650-3-88A Locator - Main #5 (2.6763 - 2.6773" bore) (67.98 - 68.00mm)..... 12

650-3-88B Locator - Main #1 (2.6763 - 2.6773" bore) (67.98 - 68.00mm)..... 12

650-3-71P Locator - Main #1 (2.6869 - 2.6871" bore) (68.25 - 68.25mm)..... 12

650-3-71Q Locator - Main #5 (2.6869 - 2.6871" bore) (68.25 - 68.25mm)..... 13

650-3-69P Locator - Main #5 (2.6915 - 2.6930" bore) (68.36 - 68.40mm)..... 13

650-3-69Q Locator - Main #1 (2.6915 - 2.6930" bore) (68.36 - 68.40mm)..... 13

650-3-69M Locator - Main #5 (2.7495 - 2.7510" bore) (69.84 - 69.88mm)..... 13

650-3-69N Locator - Main #1 (2.7495 - 2.7510" bore) (69.84 - 69.88mm)..... 13

650-3-71C Locator - Main #1 (2.8150 - 2.8160" bore) (71.50 - 71.53mm)..... 13

650-3-71D Locator - Main #5 (2.8150 - 2.8160" bore) (71.50 - 71.53mm)..... 14

650-3-72B Locator - Main #5 (2.8175 - 2.8180" bore) (71.56 - 71.57mm)..... 14

650-3-72C Locator - Main #1 (2.8175 - 2.8180" bore) (71.56 - 71.57mm)..... 14

650-3-71H Locator - Main #1 (2.8340 - 2.8345" bore) (72.01 - 71.99mm)..... 14

650-3-71J Locator - Main #5 (2.8340 - 2.8345" bore) (72.01 - 71.99mm)..... 14

650-3-69T Locator - Main #5 (2.8395 - 2.8410" bore) (72.12 - 72.16mm)..... 14

650-3-69U Locator - Main #1 (2.8395 - 2.8410" bore) (72.12 - 72.16mm)..... 15

650-3-71Z Locator - Main #5 (2.8504 - 2.8513" bore) (72.40 - 72.42mm)..... 15

650-3-72A Locator - Main #1 (2.8504 - 2.8513" bore) (72.40 - 72.42mm)..... 15

650-3-69G Locator - Main #2 (2.9380 - 2.9395" bore) (74.63 - 74.66mm)..... 15

650-3-69B Locator - Main #5 (2.9380 - 2.9395" bore) (74.63 - 74.66mm)..... 15

650-3-69V Locator - Main #5 (2.9417 - 2.9432" bore) (74.72 - 74.76mm)..... 15

650-3-69W Locator - Main #1 (2.9417 - 2.9432" bore) (74.72 - 74.76mm)..... 16

650-3-69Z Locator - Main #5 (2.9425 - 2.9440" bore) (74.74 - 74.78mm)..... 16

650-3-71 Locator - Main #1 (2.9425 - 2.9440" bore) (74.74 - 74.78mm)..... 16

650-3-71G Locator - Main #1 (2.9425 - 2.9440" bore) (74.74 - 74.78mm) Special Locator - Must be used with 650-3-61V cushion 16

650-3-69D Locator - Main #5 (3.0025 - 3.0040" bore) (76.26 - 76.30mm)..... 16

650-3-69J Locator - Main #1 (3.0025 - 3.0040" bore) (76.26 - 76.30mm) 16

650-3-71T Locator - Main #5 (3.0696 - 3.0703" bore) (77.97 - 77.99mm) 17

650-3-71U Locator - Main #1 (3.0696 - 2.0703" bore) (77.97 - 77.99mm)..... 17

650-3-71A Locator - Main #1 (3.1427 - 3.1437" bore) (79.83 - 79.85mm)..... 17

650-3-71B Locator - Main #5 (3.1427 - 3.1437" bore) (79.83 - 79.85mm)..... 17

650-3-72K Locator - Main #5 (3.1625 - 3.1637" bore) (80.33 - 80.36mm)..... 17

650-3-72L Locator - Main #1 (3.1625 - 3.1637" bore) (80.33 - 80.36mm) 17

650-3-69X Locator - Main #5 (3.1880 - 3.1895" bore) (80.98 - 81.01mm)..... 18

650-3-69Y Locator - Main #1 (3.1880 - 3.1895" bore) (80.98 - 81.01mm) 18

650-3-69R Locator - Main #5 (3.1912 - 3.1927" bore) (81.06 - 81.09mm)..... 18

650-3-69S Locator - Main #1 (3.1912 - 3.1927" bore) (81.06 - 81.09mm) 18

650-3-69C Locator - Main #5 (3.1922 - 3.1937" bore) (81.08 - 81.12mm)..... 18

650-3-69H Locator - Main #1 (3.1922 - 3.1937" bore) (81.08 - 81.12mm)..... 18

650-3-88J Locator - Main #5 (3.2495 - 3.2505" bore) (82.54 - 82.56mm) 19

650-3-88K Locator - Main #5 (3.2495 - 3.2505" bore) (82.54 - 82.56mm)..... 19

650-3-71V Locator - Main #5 (3.3152 - 3.3162" bore) (84.21 - 84.23mm)..... 19

650-3-71W Locator - Main #1 (3.3152 - 3.3262" bore) (84.21 - 84.23mm) 19

650-3-72M Locator - Main #5 (3.3854 - 3.3862" bore) (85.99 - 86.01mm) 19

650-3-72N Locator - Main #1 (3.3854 - 3.3862" bore) (85.99 - 86.01mm)..... 19

650-3-71X Locator - Main #5 (3.4380 - 3.4390" bore) (87.32 - 87.35mm)..... 20

650-3-71Y Locator - Main #1 (3.4380 - 3.4390" bore) (87.32 - 87.35mm) 20

650-3-71M Locator - Main #1 (3.6960 - 3.0700" bore) (93.88 - 77.98mm) 20

650-3-71N Locator - Main #5 (3.6960 - 3.0700" bore) (93.88 - 77.98mm)..... 20

650-3-88N Locator - Main #5 (3.4638 - 3.4652" bore) (87.90 - 88.02mm) Cummins 5.9 20

650-3-88P Locator - Main #1 (3.4638 - 3.4652" bore) (87.90 - 88.02mm) Cummins 5.9..... 20

650-3-71M Locator - Main #1 (3.6960 - 3.0700" bore) (93.88 - 77.98mm) 21

650-3-71N Locator - Main #5 (3.6960 - 3.0700" bore) (93.88 - 77.98mm)..... 21

650-10-4B Locator - Main #1 (2.9417 - 2.9432" bore) (74.72 - 74.76mm) Special Nitro Fuel Hemi requires 650-10-4C Cushion for Tailstock..... 21

650-10-4C Cushion required for 650-10-4B - Special Nitro Fuel Hemi..... 21

650-10-5B Locator- Main #1 (2.9380-2.9395 bore)(74.63mm-74.66mm) (EXTD) 21

Individual CAM Locators for 650-3-59 4th Axis Fixture 22

650-3-83M Locator, Cam, Expanding (2.3450 - 2.3470" bore) (59.58 - 59.63mm)..... 22

650-3-83H Locator, Cam, Expanding (1.5670 - 1.5680" bore) (39.80 - 39.82mm) 22

650-3-62Y Locator, Cam, Expanding (1.6920 - 1.6935" bore) (42.98 - 43.01mm) 22

650-3-70N Locator, Cam, Expanding (1.7955 - 1.7975" bore) (45.61 - 45.66mm) 22

650-3-70V Locator, Cam, Expanding (1.8480 - 1.8490" bore) (46.94 - 46.96mm) 22

650-3-70G Locator, Cam, Expanding (1.8795 - 1.8810" bore) (47.74 - 47.78mm)..... 22

650-3-70P Locator, Cam, Expanding (1.9155 - 1.9175" bore) (48.65 - 48.70mm)	23
650-3-83B Locator, Cam, Expanding (1.9270 - 1.9290" bore) (48.85 - 48.99mm)	23
650-3-70B Locator, Cam, Expanding (1.9900 - 2.0005" bore) (50.77 - 50.81mm)	23
650-3-70C Locator, Cam, Expanding (2.0090 - 2.0105" bore) (51.03 - 51.07mm)	23
650-3-83J Locator, Cam, Expanding (2.0190 - 2.0210" bore) (51.28 - 51.33mm).....	23
650-3-83G Locator, Cam, Expanding (2.0290 - 2.0305" bore) (51.53 - 51.57mm).....	23
650-3-70S Locator, Cam, Expanding (2.0297 - 2.0317" bore) (51.55 - 51.61mm)	24
650-3-83E Locator, Cam, Expanding (2.0380 - 2.0400" bore) (51.77 - 51.82mm)	24
650-3-70R Locator, Cam, Expanding (2.0575 - 2.0585" bore) (52.56 - 52.29mm)	24
650-3-70E Locator, Cam, Expanding (2.0875 - 2.0890" bore) (53.02 - 53.06mm)	24
650-3-70W Locator, Cam, Expanding (2.1190 - 2.1205" bore) (53.82 - 53.86mm).....	24
650-3-70M Locator, Cam, Expanding (2.1255 - 2.1265" bore) (53.99 - 54.01mm).....	24
650-3-62W Locator, Cam, Expanding (2.1295 - 2.1280" bore) (54.08 - 54.05mm)	25
650-3-70Q Locator, Cam, Expanding (2.1410 - 2.1430" bore) (54.38 - 54.32mm).....	25
650-3-70K Locator, Cam, Expanding (2.1440 - 2.1455" bore) (54.46 - 54.50mm) (Extended length).....	25
650-3-62Z Locator, Cam, Expanding (2.1440 - 2.1455" bore) (54.46 - 54.50mm).....	25
650-3-83A Locator, Cam, Expanding (2.1653 - 2.1663" bore) (54.99 - 55.02mm)	25
650-3-70U Locator, Cam, Expanding (2.1675 - 2.1685" bore) (55.05 - 55.08mm)	25
650-3-83K Locator, Cam, Expanding (2.1995 - 2.2005" bore) (55.86 - 55.89mm)	26
650-3-83Y Locator, Cam, Expanding (2.2030 - 2.2040 bore) (55.96 - 55.98mm)	26
650-3-83X Locator, Cam, Expanding (2.2045 - 2.2050 bore) (55.99 - 56.00mm)	26
650-3-83F Locator, Cam, Expanding (2.2080 - 2.2090" bore) (56.08 - 56.11mm).....	26
650-3-70L Locator, Cam, Expanding (2.2305 - 2.2320" bore) (56.65 - 56.69mm).....	26
650-3-62X Locator, Cam, Expanding (2.2490 - 2.2505" bore) (57.12 - 57.16mm)	26
650-3-70A Locator, Cam, Expanding (2.2820 - 2.2835" bore) (57.96 - 58.00mm)	27
650-3-83 Locator, Cam, Expanding (2.3070 - 2.3974" bore) (58.90 - 60.89mm).....	27
650-3-70H Locator, Cam, Expanding (2.3255 - 2.3270" bore) (59.07 - 59.11mm)	27
650-3-70J Locator, Cam, Expanding (2.3475 - 2.3490" bore) (59.60 - 59.66mm).....	27
650-3-83U Locator, Cam, Expanding (2.3622") (60mm)	27
650-3-70X Locator, Cam, Expanding (2.3745 - 2.3755" bore) (60.31 - 60.34mm)	27
650-3-70Y Locator, Cam, Expanding (2.4000 - 2.4010" bore) (60.96 - 60.98mm)	28
650-3-83R Locator, Cam, Expanding (special 1.0" / 25.4mm extended) (2.4412 - 2.4427" Bore) (62.01 - 62.04mm) .	28
650-3-70 Locator, Cam, Expanding (2.4780 - 2.4795" bore) (62.94 - 62.98mm).....	28
650-3-83L Locator, Cam, Expanding (2.5976 - 2.5992" bore) (65.97 - 66.01mm).....	28
650-3-83C Locator, Cam, Expanding (2.6406 - 2.6416 "bore) (67.07 - 67.10mm)	28
650-3-83P Locator, Cam, Expanding (special extended) (2.6406 - 2.6416" bore) (67.07 - 67.10mm).....	28
650-3-70Z Locator, Cam, Expanding (2.6763 - 2.6773" bore) (67.98 - 68.00mm).....	29
650-3-70T Locator, Cam, Expanding (2.6780 - 2.6740" bore) (67.89 - 67.92mm).....	29
650-3-83V Locator, Cam, Expanding (2.9370 - 2.9380" bore) (74.60 - 74.63mm)	29
650-3-83Q Locator, Cam, Expanding (special extended) (2.9380 - 2.9395" bore) (74.63 - 74.66mm).....	29

650-3-83N Locator, Cam, Expanding (2.9423 - 2.9430" bore) (74.73 - 74.75mm) 29

650-3-83W Locator, Cam, Expanding (3.0637 - 3.0645" bore) (77.82 - 77.84mm) 29

650-3-83S Locator, Cam, Expanding (special 1.0" / 25.4mm extended) (3.1922 - 3.1937" Bore) (81.08 - 81.12mm) . 30

Main Bearing Locators for 650-3-1 Performance Fixture..... 30

502-1-47A Locator, Main Bearing Chevy V8 (350) Chevy V6 (4.3L) 2.6391" (67.033mm) Chevy V8 (400Sb) Chevy V6 (3.4L) 2.8390" (72.111mm) 1 pair 30

502-1-47B Locator, Main Bearing Chevy V8 (396/400Bb/454) 2.9365" (74.587mm) Buick V6 (231 Cu. In.) 2.6855" (68.212mm) 1 pair 30

502-1-47C Locator, Main Bearing Buick/Olds/Pontiac V8 (350/389/400) 3.1866" (80.940mm) Buick/Pontiac V8 (421/428/455) 3.4365" (87.287mm) 1 pair 31

502-1-47D Locator, Main Bearing Ford V8 (351C) 2.9402" (74681mm) Ford V8 (351W / 429 / 460) 3.1907" (81.044mm) 1 pair 31

502-1-47E Locator, Main Bearing Ford V8 (289/302) 2.4397" (61.968mm) Mopar V8 (360) 3.0010" (76.225mm) 1 pair 31

502-1-47F Locator, Main Bearing Mopar V8 (318/340) 2.6910" (68.351mm) Mopar V8 (426 / 440) 2.9410" (74.701mm) 1 pair 31

502-1-47G Locator, Main Bearing Chevy V8 (283/327 Early) 2.4892" (63.226mm) Chevy V8 (5.3L 1999 & Newer) 2.7490" (69.825mm) Chevy Ls-1 2.7495" (69.825mm) 1 pair 31

502-1-47H Locator, Main Bearing With Brass Tipped Set Screws (3.3137 Diameter) Special Application 31

502-1-47J Locator, Main Bearing 928 Porsche V8 5L Block 2.953" (75.260mm) 1 pair 32

502-1-47K Locator, Main Bearing GM 6.5L/395 Cu. In. Diesel Application 3.1420" (79.807mm) 1 pair 32

502-1-47L Locator, Main Bearing Ford 4.6 (2.8491") Ford Zetec 2.4528" (62.301mm) 1 pair 32

502-1-47M Locator, Main Bearing Honda 1.8 (2.3216") Mitsubishi 2.0 - 2.4002" (60.965mm) 1 pair 32

502-1-47N Locator, Main Bearing AMC-Chrysler (2.9396" [74.666mm]) 32

502-1-47P Locator, Main Bearing 7.3 OHC Diesel V8 3.315/3.316" (84.201/84.226mm) 3.0 Toyota V6 2.677/2.678" (67.996/68.021mm) 1 pair 32

502-1-47Q Locator, Main Bearing Holden V8 - 2.5906/2.5916" (65.801/65.827mm) 1 pair 33

502-1-47R Locator, Main Bearing 2.5 Liter Subaru 2.5185/2.5195" (63.970/63996mm) 2.2 Liter Honda 2.1250/2.1260" (53.975/54.00mm) 1 pair 33

502-1-48E Locator, Main Bearing (2.2347") (56.761mm) 33

502-1-48C Locator, Main Bearing (2.3191") (58.905mm) 33

502-1-48B Locator, Main Bearing (2.3196 - 2.5409") (58.918 - 64.539mm) 33

502-1-48R Locator, Main Bearing (2.3963") (60.86mm) 33

502-1-47T Locator, Main Bearing (2.4910 - 2.4920") (63.271 - 63.297mm) 34

502-1-48D Locator, Main Bearing (2.5044") (63.612mm) 34

502-1-47Y Locator, Main Bearing (2.5184") (63.967mm) 34

502-1-47Z Locator, Main Bearing (2.6228") (66.619mm) 34

502-1-47W Locator, Main Bearing (2.6601 - 2.6606") (67.567 - 67.579mm) 34

502-1-47X Locator, Main Bearing (2.6635") (67.653mm) 34

502-1-48J Locator, Main Bearing (2.6690") (67.79mm) 35

502-1-48V Locator, Main Bearing (2.7141") (68.93mm) 35

502-1-47S Locator, Main Bearing (2.7190 - 2.7200") (69.063 - 69.088mm) 35

502-1-48H Locator, Main Bearing (2.7520") (69.90mm) 35



502-1-47U Locator, Main Bearing (2.8175 - 2.8180") (71.565 - 71.577mm)..... 35

502-1-48F Locator, Main Bearing (2.8330") (71.958mm) 35

502-1-48W Locator, Main Bearing (2.8331") (71.965mm) 36

502-1-48X Locator, Main Bearing (2.8700") (72.90mm) 36

502-1-48T Locator, Main Bearing (2.9512") (74.96mm) 36

502-1-48G Locator, Main Bearing (2.9950 - 2.7556") (76.073 - 69.992mm) 36

502-1-48U Locator, Main Bearing (3.2269") (81.96mm)..... 36

502-1-47V Locator, Main Bearing (3.3854 - 3.3862") (85.989 - 86.009mm)..... 36

502-1-48S Locator, Main Bearing (3.4645") (87.99mm) 37

Individual CAM Locators for Performance Fixture (650-3-1)..... 37

650-3-14F Locator, Cam, Small Block (1.6920 - 1.6930" bore) (42.97 - 43.00mm)..... 37

650-3-14J Locator, Cam (1.7098 - 1.7118" bore) (43.42 - 43.47mm) 37

650-3-15U Locator, Cam (1.7945" bore) (45.58mm) 37

650-3-16E Locator, Cam (1.8490 - 1.8500" bore) (46.96 - 46.99mm)..... 37

650-3-14M Locator, Cam, Small Block (1.8745 - 1.8750" bore) (47.61 - 47.62mm)..... 38

650-3-14J Locator, Cam, Big Block, Chevy (1.8795 - 1.8805" bore) (47.73 - 47.76mm)..... 38

650-3-15L Locator, Cam (1.9170" bore) (48.69mm) 38

650-3-16F Locator, Cam (1.9275 - 1.9285" bore) (48.96 - 50.36mm)..... 38

650-3-16K Locator, Cam (1.9275 - 1.9285" bore) (48.96 - 48.98mm)..... 38

650-3-15E Locator, Cam (1.9355 - 1.9375" bore) (49.16 - 49.21mm)..... 38

650-3-14Y Locator, Cam (1.9685" bore) (49.99mm) 39

650-3-14R Locator, Cam (1.9990 - 2.0010" bore) (50.77 - 50.82mm)..... 39

650-3-14 Locator, Cam, Small Block (2.0090 - 2.0110" bore) (51.02 - 51.07mm)..... 39

650-3-14G Locator, Cam, Small Block (2.0190 - 2.0210" bore) (51.28 - 51.33mm)..... 39

650-3-15H Locator, Cam (2.0292 - 2.0310" bore) (51.51 - 51.58mm)..... 39

650-3-14N Locator, Cam (2.0297 - 2.0317" bore) (51.55 - 51.60mm)..... 39

650-3-15N Locator, Cam (2.0400 - 2.0415" bore) (51.81 - 51.85mm)..... 40

650-3-14C Locator, Cam, Small Block (2.0410 - 2.2501" bore) (51.84 - 57.15mm) 40

650-3-15S Locator, Cam (2.0450" bore) (51.94mm) 40

650-3-15R Locator, Cam (2.0600 - 2.0615" bore) (52.32 - 52.35mm)..... 40

650-3-14X Locator, Cam (2.0880" bore) (53.03mm) 40

650-3-16B Locator, Cam (2.0888 - 2.0895" bore) (53.05 - 53.07mm)..... 40

650-3-14P Locator, Cam (2.1200 - 2.1210" bore) (53.84 - 53.87mm)..... 41

650-3-14A Locator, Cam, Big Block, Chevy (2.1295 - 2.1305" bore) (54.08 - 57.16mm) 41

650-3-14E Locator, Cam, Small Block (2.1295 - 2.1305" bore) (54.80 - 54.1mm) 41

650-3-14H Locator, Cam, Big Block, Chevy (2.1395 - 2.1405" bore) (54.34 - 54.36mm) 41

650-3-16J Locator, Cam (2.1410 - 2.1420" bore) (54.38 - 54.40mm) 41

650-3-14D Locator, Cam, Small Block (2.1440 - 2.1450" bore) (54.45 - 54.48mm) 41

650-3-15K Locator, Cam (2.1500" bore) (54.61mm) 42

650-3-15V Locator, Cam (2.1580 - 2.1585" bore) (54.81 - 54.82mm)..... 42



650-3-16P Locator, Cam (2.1590 - 2.1600" bore) (54.83 - 54.86mm)..... 42

650-3-14W Locator, Cam (2.1680" bore) (55.06mm) 42

650-3-16A Locator, Cam (2.1680 - 2.1695" bore) (55.06 - 55.10mm)..... 42

650-3-16N Locator, Cam (2.1740 - 2.1750" bore) (55.21 - 55.24mm)..... 42

650-3-16M Locator, Cam (2.1890 - 2.1900" bore) (55.60 - 55.62mm) 43

650-3-14ZLocator, Cam (2.2305 - 2.2320" bore) (56.65 - 56.69mm) 43

650-3-14B Locator, Cam, Big Block, Ford (2.2485 - 2.2505" bore) (57.11 - 57.16mm) 43

650-3-16G Locator, Cam (2.2530 - 2.2545" bore) (57.22 - 57.26mm) 43

650-3-14Q Locator, Cam (2.2827 - 2.2831" bore) (57.98 - 57.99mm) 43

650-3-15P Locator, Cam (2.3000 - 2.3020" bore) (58.42 - 51.85mm)..... 43

650-3-15Z Locator, Cam (2.3075 - 2.3085" bore) (58.61 - 58.63mm)..... 44

650-3-14T Locator, Cam, Big Block (2.3080 - 2.3090" bore) (58.62 - 58.64mm) 44

650-3-14S Locator, Cam (2.3230 - 2.3240" bore) (59.00 - 59.02mm)..... 44

650-3-16H Locator, Cam (2.3270 - 3.3280" bore) (59.10 - 84.53mm)..... 44

650-3-15G Locator, Cam (2.3280 - 2.3290" bore) (59.13 - 59.15mm) 44

650-3-15Q Locator, Cam (2.3500 - 2.3515" bore) (59.69 - 59.72mm) 44

650-3-15M Locator, Cam (2.365" bore) (60.07mm)..... 45

650-3-15F Locator, Cam (2.400 - 2.401" bore) (60.96 - 60.98mm)..... 45

650-3-16D Locator, Cam (2.4226 - 2.4260" bore) (61.53 - 61.62mm)..... 45

650-3-14K Locator, Cam, Big Block, Chevy (2.4780 - 2.4790" bore) (62.94 - 62.96mm) 45

650-3-14U Locator, Cam (2.4985 - 2.5005" bore) (63.46 - 63.51mm)..... 45

650-3-16L Locator, Cam (2.5590 - 2.5602" bore) (65.00 - 65.03mm) 45

650-3-15X Locator, Cam (2.6455 - 2.3460" bore) (67.19 - 59.58mm)..... 46

650-3-14L Locator, Cam (2.6733 - 2.6743" bore) (67.90 - 67.92mm) 46

650-3-15Y Locator, Cam (2.8305 - 2.8310" bore) (71.89 - 71.907mm)..... 46

Main & Cam Bearing Locator Assemblies for Rottler 4th Axis Fixture

If Customer Requires Sizes Other than Available from Stock, Rottler Will Manufacture the Required Size.)

Note: Customer Must Provide the Size, Including Tolerance of the Bore/s the Locator will be used in. Rottler will use this information to Design the Actual Locator. Sold in Assemblies.

650-3-68 Locator, Assembly, (Small Block Chevy)

Note: Assembly of 650-3-69, 650-3-69E and 650-3-70C

650-3-70C



650-3-69



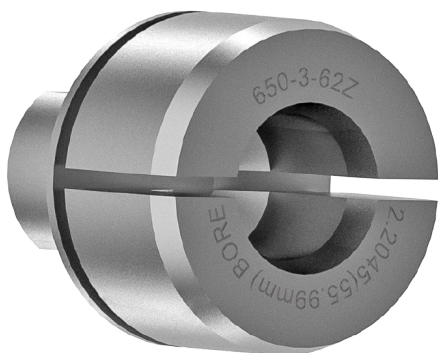
650-3-69E



650-3-68A Locator, Assembly, (Ford 289/302)

Note: Assembly of 650-3-69A, 650-3-69F and 650-3-62Z

650-3-62Z



650-3-69A



650-3-69F



650-3-68B Locator, Assembly, (Big Block Chevy)

Note: Assembly of 650-3-69B, 650-3-69G and 650-3-62W

650-3-62W



650-3-69B



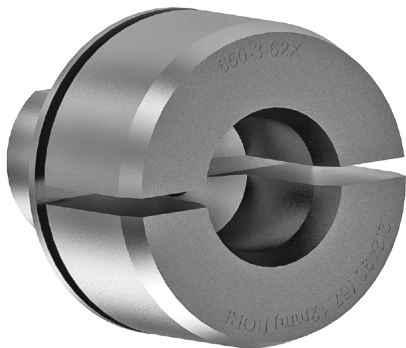
650-3-69G



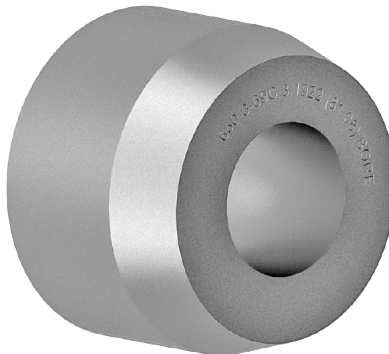
650-3-68C Locator, Assembly, (Ford 460)

Note: Assembly of 650-3-69C, 650-3-69H and 650-3-62X

650-3-62X



650-3-69C



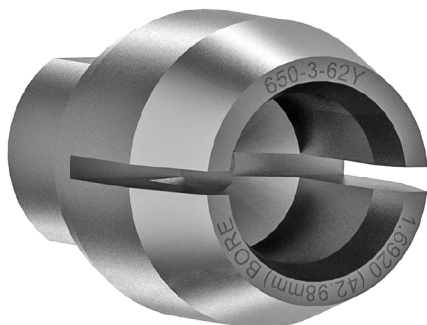
650-3-69H



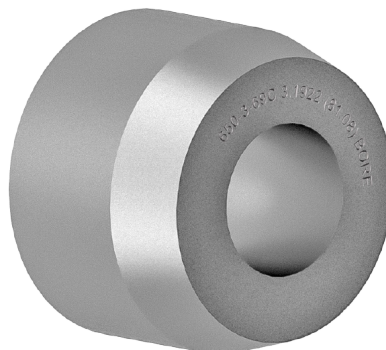
650-3-68D Locator, Assembly, (Morpar 360)

Note: Assembly of 650-3-69D, 650-3-69J and 650-3-62Y

650-3-62Y



650-3-69D



650-3-69J



650-3-68E Locator, Assembly, (Chevy 63mm)

Note: Assembly of 650-3-69, 650-3-69E and 650-3-70

650-3-70



650-3-69



650-3-69E



650-3-68F Locator, Assembly, (Chevy 58mm)

Note: Assembly of 650-3-69, 650-3-69E and 650-3-70A

650-3-70A



650-3-69



650-3-69E



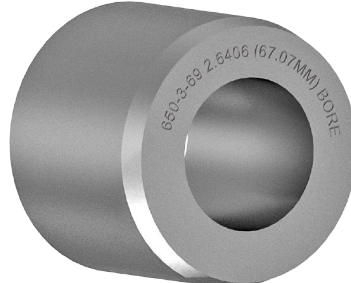
650-3-68G Locator, Assembly, (Chevy Bowtie)

Note: Assembly of 650-3-69, 650-3-69E and 650-3-70B

650-3-70B



650-3-69



650-3-69E



650-3-68H Locator, Assembly, (Ford 351W)

Note: Assembly of 650-3-69R, 650-3-69S and 650-3-62Z

650-3-62Z



650-3-69R



650-3-69S



650-3-68J Locator, Assembly, (Small Block Chevy 400)

Note: Assembly of 650-3-69T, 650-3-69U and 650-3-70C

650-3-70C



650-3-69T



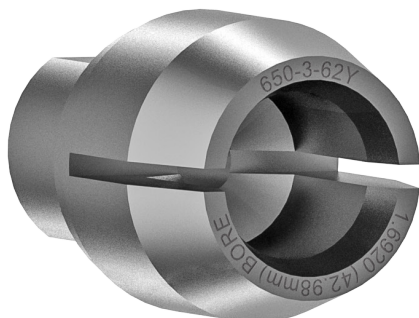
650-3-69U



650-3-68K Locator, Assembly, (Mopar 318)

Note: Assembly of 650-3-69P, 650-3-69Q and 650-3-62Y

650-3-62Y



650-3-69P



650-3-69Q



650-3-68L Locator, Assembly, (Chevy 327)

Note: Assembly of 650-3-69K, 650-3-69L and 650-3-70C

650-3-70C



650-3-69K



650-3-69L



650-3-68M Locator, Assembly, (Chevy 5.3L ("99&Up"))

Note: Assembly of 650-3-69M, 650-3-69N and 650-3-70C

650-3-70C



650-3-69M



650-3-69N



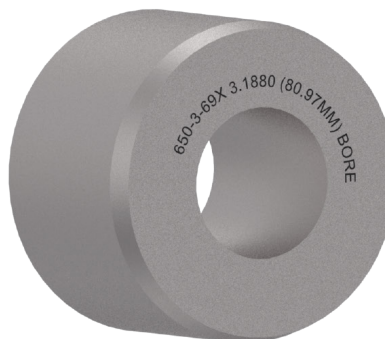
650-3-68N Locator, Assembly, (Buick/Olds/Pontiac 350/400)

Note: Assembly of 650-3-69X, 650-3-69Y and 650-3-70E

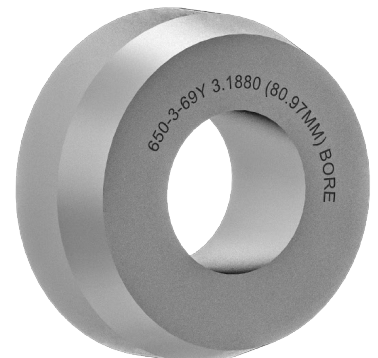
650-3-70E



650-3-69X



650-3-69Y



650-3-68P Locator, Assembly, (Ford 351C)

Note: Assembly of 650-3-69V, 650-3-69W and 650-3-62Z

650-3-62Z



650-3-69V



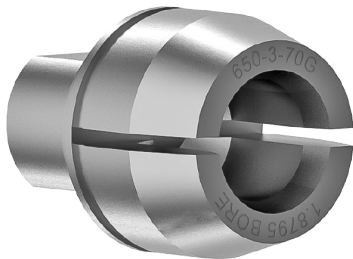
650-3-69W



650-3-68Q Locator, Assembly, (Mopar 383/426/440)

Note: Assembly of 650-3-69Z, 650-3-71G, 650-3-70G and 650-3-61V

650-3-70G



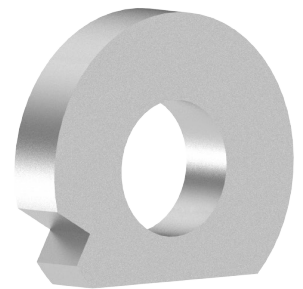
650-3-69Z



650-3-71G



650-3-61V



650-3-68R Locator, Assembly, (Chevy Gen3 LS1/LS6)

Note: Assembly of 650-3-69M, 650-3-69N and 650-3-70H

650-3-70H



650-3-69M



650-3-69N



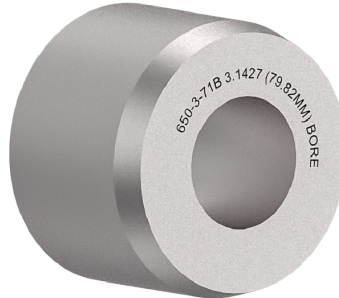
650-3-68S Locator, Assembly, (GM 6.5 Liter V8)

Note: Assembly of 650-3-71B, 650-3-71A, 650-3-70U, 650-3-70C, Set of two Mains/two Cams

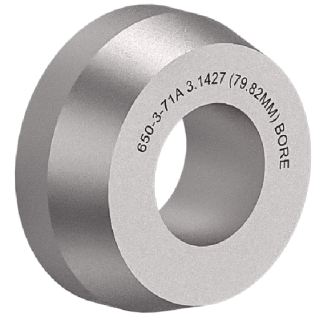
650-3-70C



650-3-71B



650-3-71A



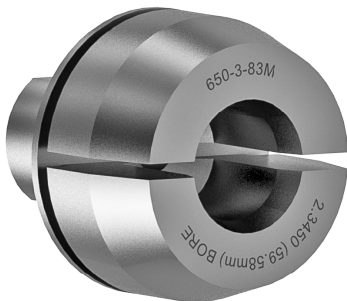
650-3-70U



650-3-68T Locator, Assembly, (Chevy LS7) 4th Axis

NOTE: Assembly of 650-3-69M, 650-3-69N, 650-3-83M

650-3-83M



650-3-69M



650-3-69N



Individual Main Locators for 650-3-59 4th Axis Fixture

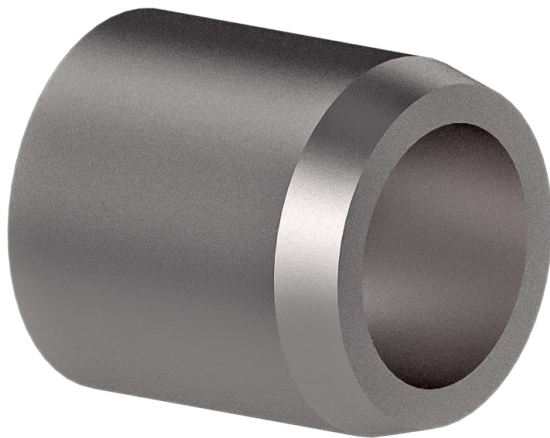
650-3-72H Locator - Main #5 (2.1253 - 2.1263" bore)
(53.98 - 54.00mm)



650-3-72J Locator - Main #1 (2.1253 - 2.1263" bore)
(53.98 - 54.00mm)



650-3-88C Locator - Main #5 (2.1440 - 2.1455" bore)
(54.46 - 54.50mm)



650-3-88D Locator - Main #1 (2.1440 - 2.1455" bore)
(54.46 - 54.50mm)



650-3-71E Locator - Main #5 (2.2367 - 2.2377" bore)
(56.81 - 56.84mm)



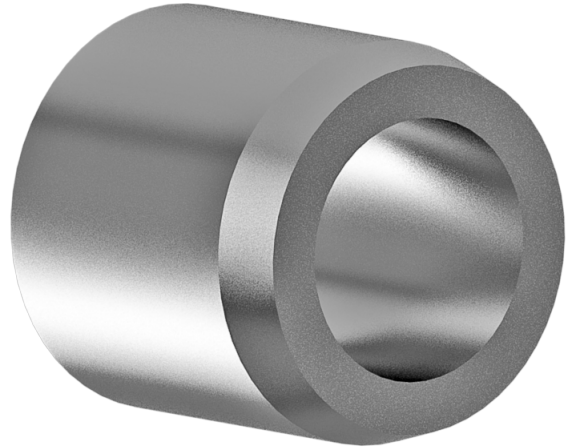
650-3-71F Locator - Main #1 (2.2367 - 2.2377" bore)
(56.81 - 56.84mm)



**650-3-72T Locator - Main #5 (2.2820 - 2.2835" bore)
(57.96 - 58.00mm)**



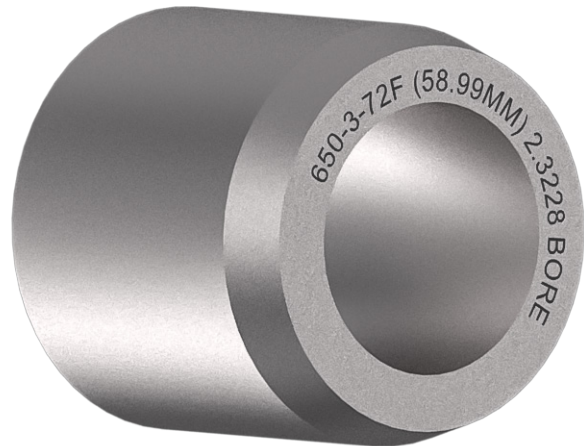
**650-3-88G Locator - Main #5 (2.2995 - 2.3005" bore)
(58.41 - 58.43mm)**



**650-3-88H Locator - Main #1 (2.2995 - 2.3005" bore)
(58.41 - 58.43mm)**



**650-3-72F Locator - Main #5 (2.3228 - 2.3237" bore)
(58.99 - 59.02mm)**



**650-3-72G Locator - Main #1 (2.3228 - 2.3237" bore)
(58.99 - 59.02mm)**



**650-3-72D Locator - Main #5 (2.3745 - 2.3755" bore)
(60.31 - 60.33mm)**



**650-3-72E Locator - Main #1 (2.3745 - 2.3755" bore)
(60.31 - 60.33mm)**



**650-3-69F Locator - Main #1 (2.4412 - 2.4427" bore)
(62.01 - 62.04mm)**



**650-3-69A Locator - Main #5 (2.4412 - 2.4428" bore)
(62.01 - 62.05mm)**



**650-3-72V Locator - Main #5 (2.4780 - 2.4795" bore)
(62.94 - 62.98mm)**



**650-3-72W Locator - Main #1 (2.4780 - 2.4795" bore)
(62.94 - 62.98mm)**



**650-3-69K Locator - Main #5 (2.4897 - 2.4912" bore)
(63.24 - 63.28mm)**



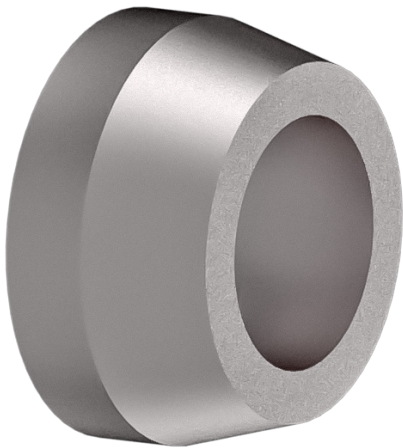
**650-3-69L Locator - Main #1 (2.4897 - 2.4912" bore)
(63.24 - 63.28mm)**



**650-3-72P Locator - Main #5 (2.5187 - 2.5197" bore)
(63.97 - 64.00mm)**



**650-3-72Q Locator - Main #1 (2.5187 - 2.5197" bore)
(63.97 - 64.00mm)**



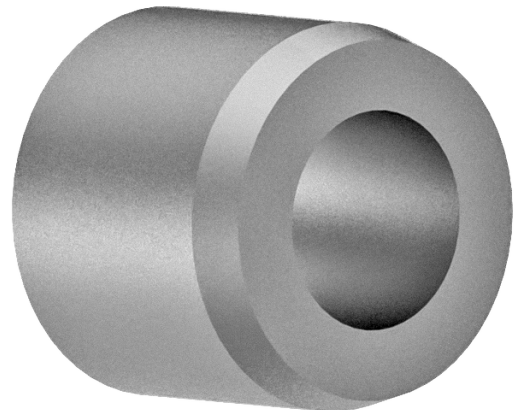
**650-3-69E Locator - Main #1 (2.6406 - 2.6421" bore)
(67.07 - 67.11mm)**



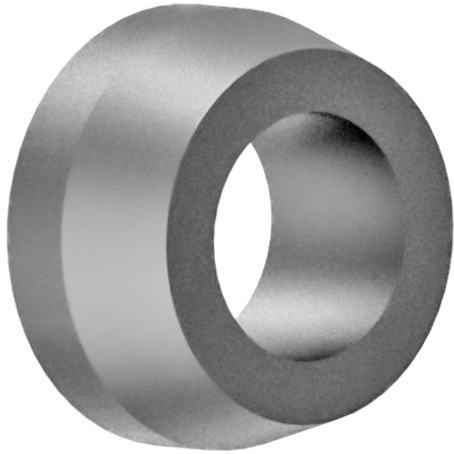
**650-3-69 Locator - Main #5 (2.6406 - 2.6420" bore)
(67.07 - 67.11mm)**



**650-3-88L Locator - Main #5 (2.6605 - 2.6615" bore)
(67.58 - 67.60mm)**



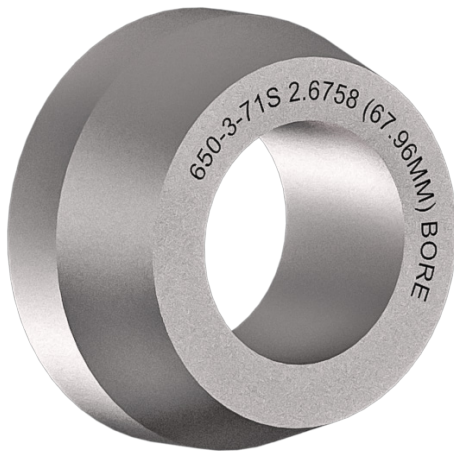
**650-3-88M Locator - Main #1 (2.6605 - 2.6615" bore)
(67.58 - 67.60mm)**



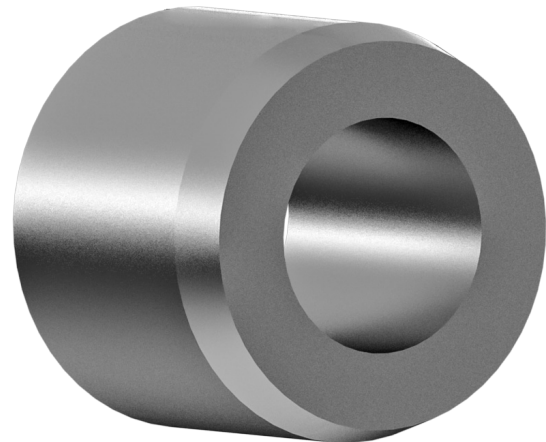
**650-3-71R Locator - Main #5 (2.6758 - 2.6760" bore)
(68.97 - 67.97mm)**



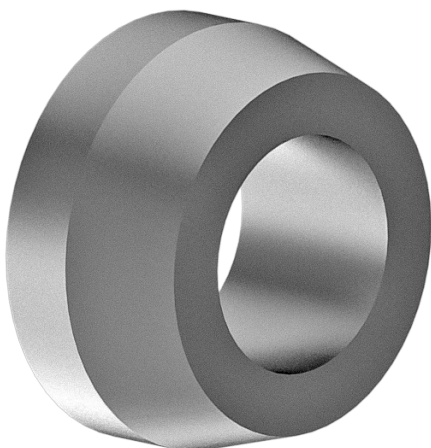
**650-3-71S Locator - Main #1 (2.6758 - 2.6760" bore)
(68.97 - 67.97mm)**



**650-3-88A Locator - Main #5 (2.6763 - 2.6773" bore)
(67.98 - 68.00mm)**



**650-3-88B Locator - Main #1 (2.6763 - 2.6773" bore)
(67.98 - 68.00mm)**



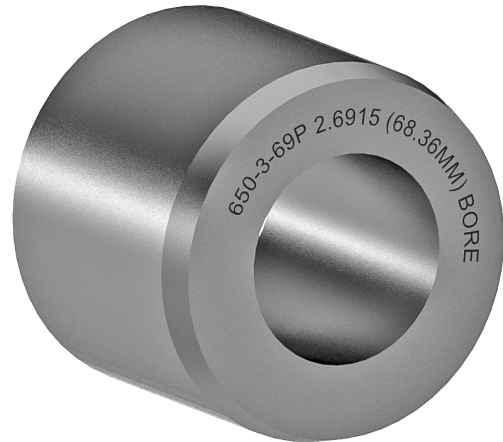
**650-3-71P Locator - Main #1 (2.6869 - 2.6871" bore)
(68.25 - 68.25mm)**



**650-3-71Q Locator - Main #5 (2.6869 - 2.6871" bore)
(68.25 - 68.25mm)**



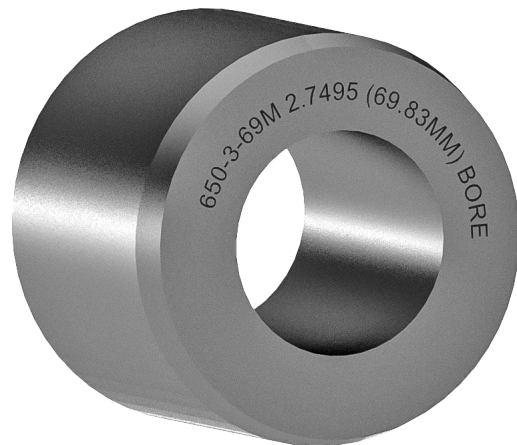
**650-3-69P Locator - Main #5 (2.6915 - 2.6930" bore)
(68.36 - 68.40mm)**



**650-3-69Q Locator - Main #1 (2.6915 - 2.6930" bore)
(68.36 - 68.40mm)**



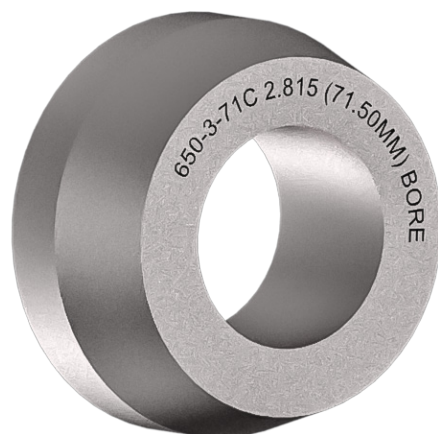
**650-3-69M Locator - Main #5 (2.7495 - 2.7510" bore)
(69.84 - 69.88mm)**



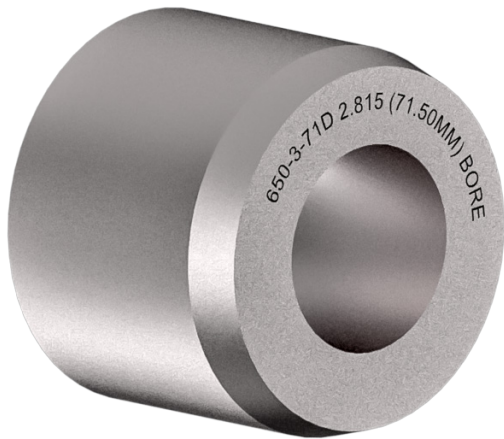
**650-3-69N Locator - Main #1 (2.7495 - 2.7510" bore)
(69.84 - 69.88mm)**



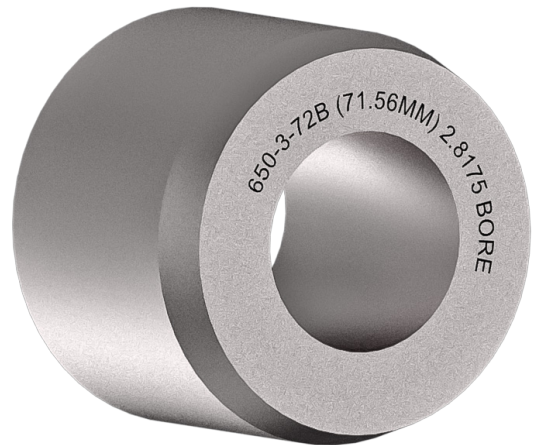
**650-3-71C Locator - Main #1 (2.8150 - 2.8160" bore)
(71.50 - 71.53mm)**



**650-3-71D Locator - Main #5 (2.8150 - 2.8160" bore)
(71.50 - 71.53mm)**



**650-3-72B Locator - Main #5 (2.8175 - 2.8180" bore)
(71.56 - 71.57mm)**



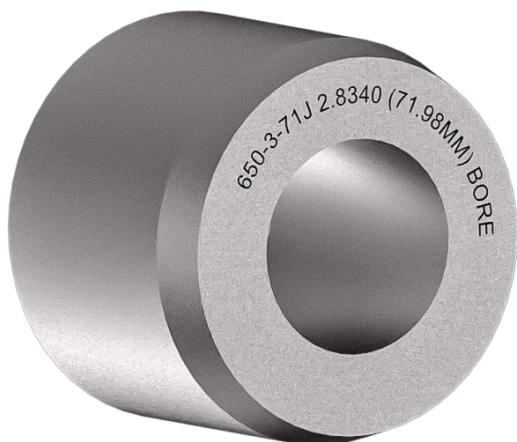
**650-3-72C Locator - Main #1 (2.8175 - 2.8180" bore)
(71.56 - 71.57mm)**



**650-3-71H Locator - Main #1 (2.8340 - 2.8345" bore)
(72.01 - 71.99mm)**



**650-3-71J Locator - Main #5 (2.8340 - 2.8345" bore)
(72.01 - 71.99mm)**



**650-3-69T Locator - Main #5 (2.8395 - 2.8410" bore)
(72.12 - 72.16mm)**



**650-3-69U Locator - Main #1 (2.8395 - 2.8410" bore)
(72.12 - 72.16mm)**



**650-3-71Z Locator - Main #5 (2.8504 - 2.8513" bore)
(72.40 - 72.42mm)**



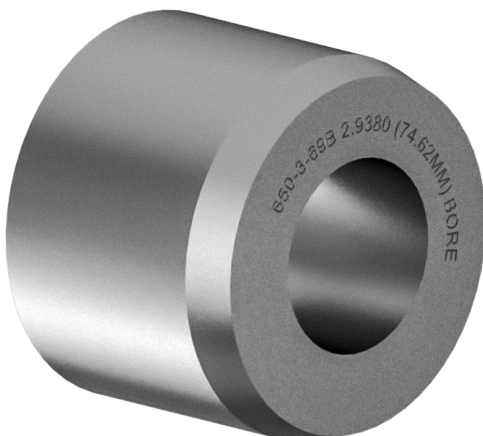
**650-3-72A Locator - Main #1 (2.8504 - 2.8513" bore)
(72.40 - 72.42mm)**



**650-3-69G Locator - Main #2 (2.9380 - 2.9395" bore)
(74.63 - 74.66mm)**



**650-3-69B Locator - Main #5 (2.9380 - 2.9395" bore)
(74.63 - 74.66mm)**



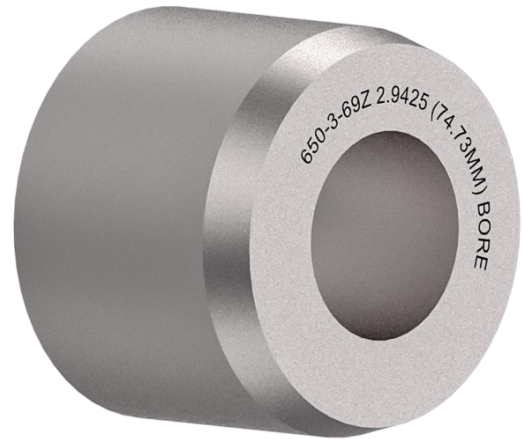
**650-3-69V Locator - Main #5 (2.9417 - 2.9432" bore)
(74.72 - 74.76mm)**



**650-3-69W Locator - Main #1 (2.9417 - 2.9432" bore)
(74.72 - 74.76mm)**



**650-3-69Z Locator - Main #5 (2.9425 - 2.9440" bore)
(74.74 - 74.78mm)**



**650-3-71 Locator - Main #1 (2.9425 - 2.9440" bore)
(74.74 - 74.78mm)**



**650-3-71G Locator - Main #1 (2.9425 - 2.9440" bore)
(74.74 - 74.78mm) Special Locator - Must be used with
650-3-61V cushion**



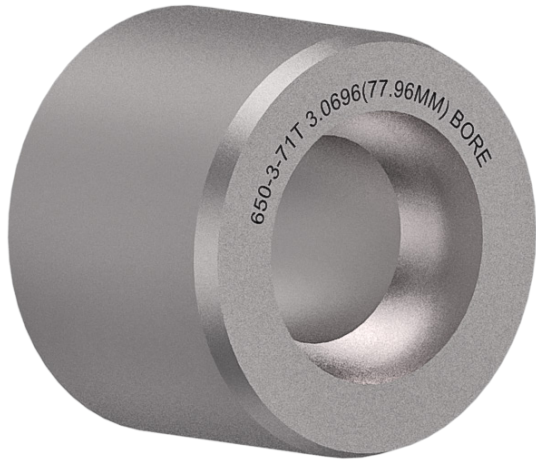
**650-3-69D Locator - Main #5 (3.0025 - 3.0040" bore)
(76.26 - 76.30mm)**



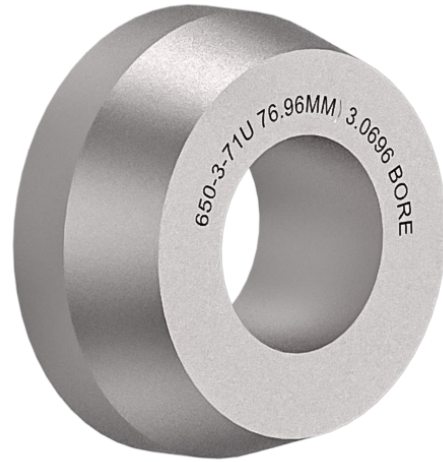
**650-3-69J Locator - Main #1 (3.0025 - 3.0040" bore)
(76.26 - 76.30mm)**



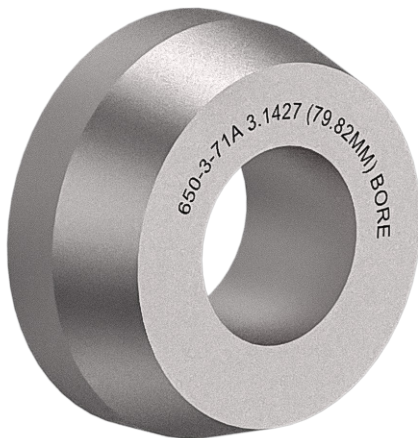
**650-3-71T Locator - Main #5 (3.0696 - 3.0703" bore)
(77.97 - 77.99mm)**



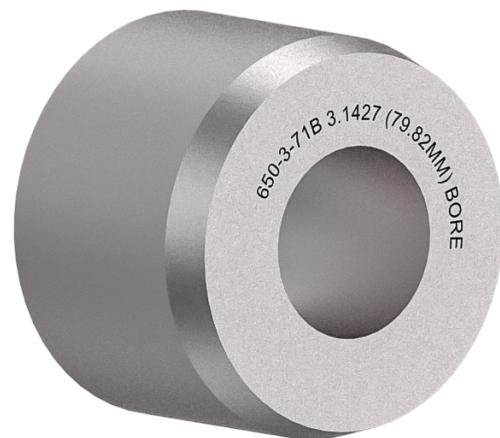
**650-3-71U Locator - Main #1 (3.0696 - 2.0703" bore)
(77.97 - 77.99mm)**



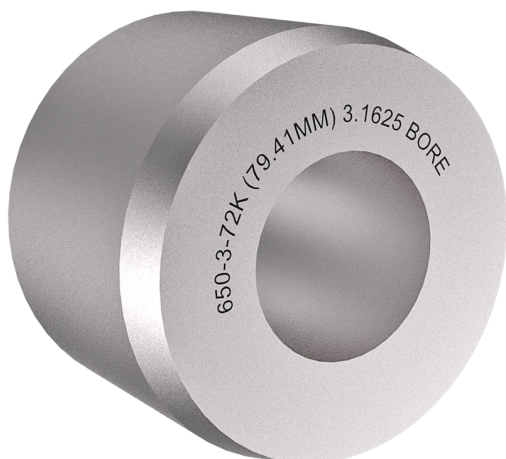
**650-3-71A Locator - Main #1 (3.1427 - 3.1437" bore)
(79.83 - 79.85mm)**



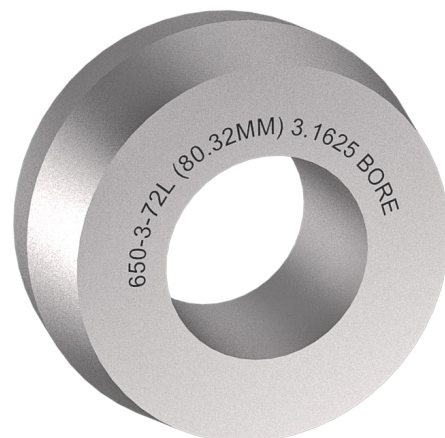
**650-3-71B Locator - Main #5 (3.1427 - 3.1437" bore)
(79.83 - 79.85mm)**



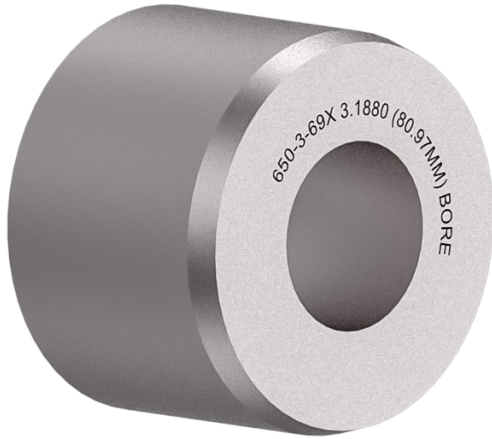
**650-3-72K Locator - Main #5 (3.1625 - 3.1637" bore)
(80.33 - 80.36mm)**



**650-3-72L Locator - Main #1 (3.1625 - 3.1637" bore)
(80.33 - 80.36mm)**



**650-3-69X Locator - Main #5 (3.1880 - 3.1895" bore)
(80.98 - 81.01mm)**



**650-3-69Y Locator - Main #1 (3.1880 - 3.1895" bore)
(80.98 - 81.01mm)**



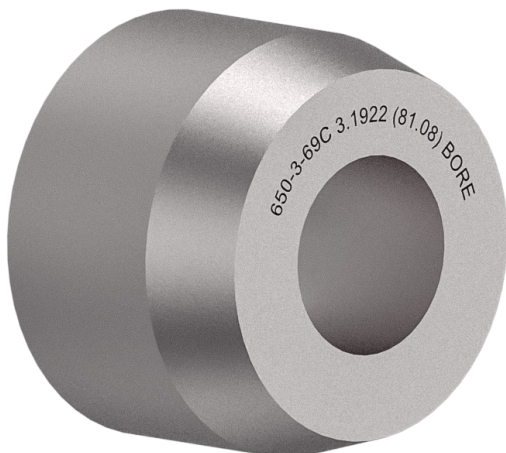
**650-3-69R Locator - Main #5 (3.1912 - 3.1927" bore)
(81.06 - 81.09mm)**



**650-3-69S Locator - Main #1 (3.1912 - 3.1927" bore)
(81.06 - 81.09mm)**



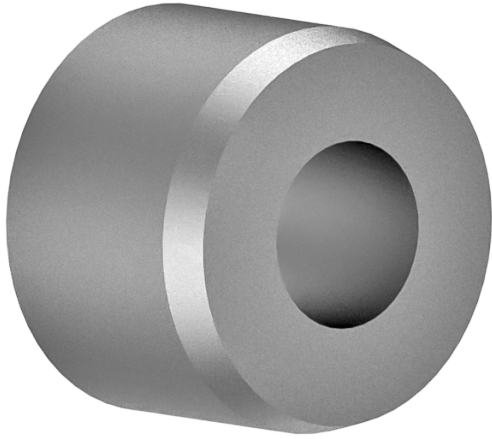
**650-3-69C Locator - Main #5 (3.1922 - 3.1937" bore)
(81.08 - 81.12mm)**



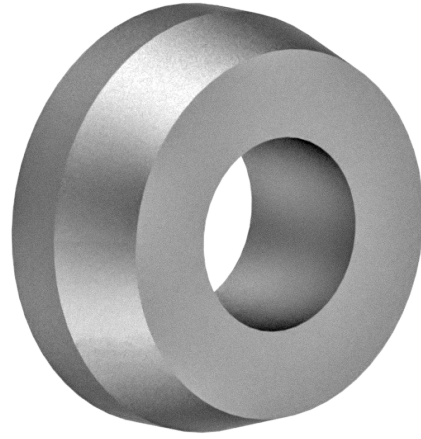
**650-3-69H Locator - Main #1 (3.1922 - 3.1937" bore)
(81.08 - 81.12mm)**



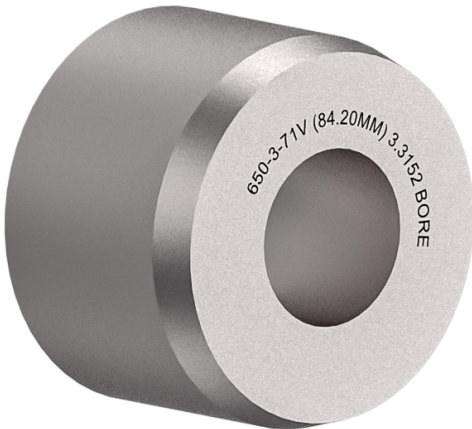
**650-3-88J Locator - Main #5 (3.2495 - 3.2505" bore)
(82.54 - 82.56mm)**



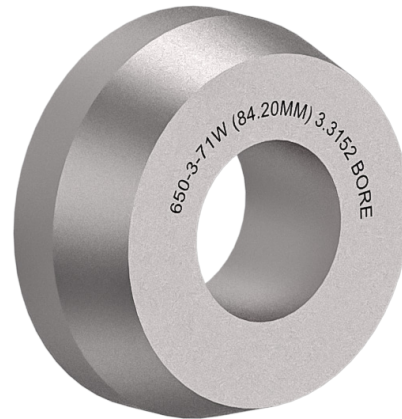
**650-3-88K Locator - Main #5 (3.2495 - 3.2505" bore)
(82.54 - 82.56mm)**



**650-3-71V Locator - Main #5 (3.3152 - 3.3162" bore)
(84.21 - 84.23mm)**



**650-3-71W Locator - Main #1 (3.3152 - 3.3262" bore)
(84.21 - 84.23mm)**



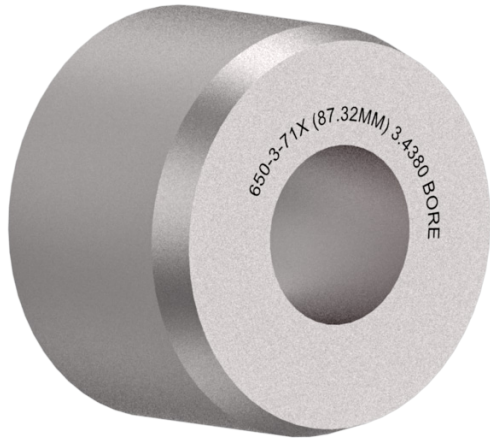
**650-3-72M Locator - Main #5 (3.3854 - 3.3862" bore)
(85.99 - 86.01mm)**



**650-3-72N Locator - Main #1 (3.3854 - 3.3862" bore)
(85.99 - 86.01mm)**



**650-3-71X Locator - Main #5 (3.4380 - 3.4390" bore)
(87.32 - 87.35mm)**



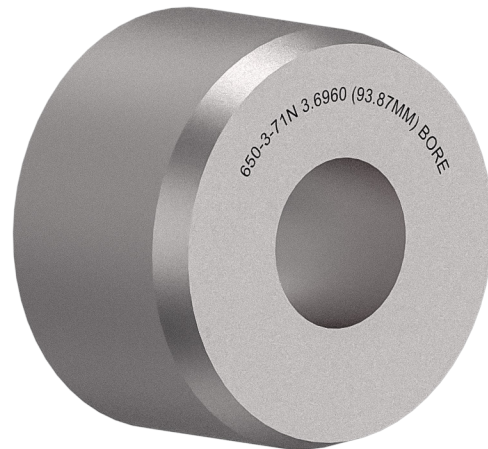
**650-3-71Y Locator - Main #1 (3.4380 - 3.4390" bore)
(87.32 - 87.35mm)**



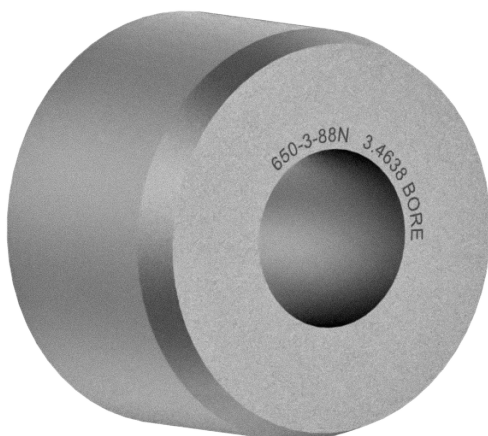
**650-3-71M Locator - Main #1 (3.6960 - 3.0700" bore)
(93.88 - 77.98mm)**



**650-3-71N Locator - Main #5 (3.6960 - 3.0700" bore)
(93.88 - 77.98mm)**



**650-3-88N Locator - Main #5 (3.4638 - 3.4652" bore)
(87.90 - 88.02mm) Cummins 5.9**



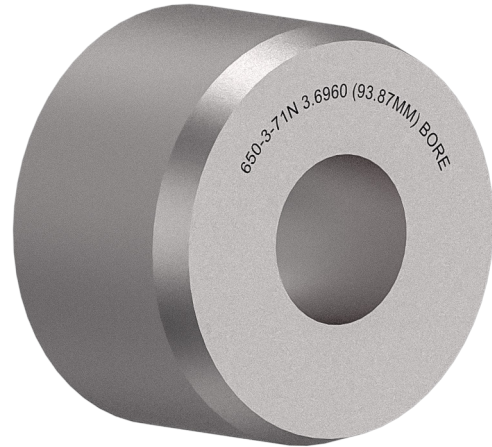
**650-3-88P Locator - Main #1 (3.4638 - 3.4652" bore)
(87.90 - 88.02mm) Cummins 5.9**



**650-3-71M Locator - Main #1 (3.6960 - 3.0700" bore)
(93.88 - 77.98mm)**



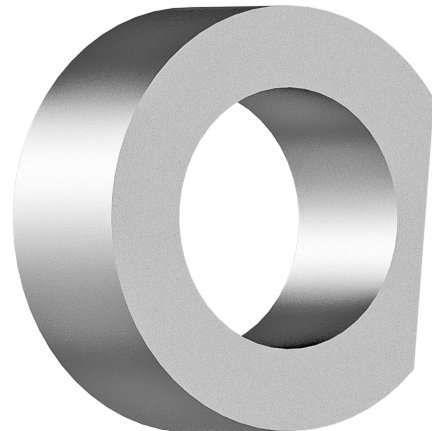
**650-3-71N Locator - Main #5 (3.6960 - 3.0700" bore)
(93.88 - 77.98mm)**



**650-10-4B Locator - Main #1 (2.9417 - 2.9432" bore)
(74.72 - 74.76mm) Special Nitro Fuel Hemi requires
650-10-4C Cushion for Tailstock**



**650-10-4C Cushion required for 650-10-4B - Special
Nitro Fuel Hemi**

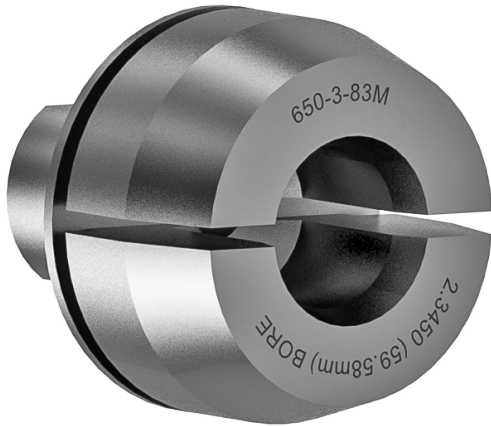


**650-10-5B Locator- Main #1 (2.9380-2.9395 bore)
(74.63mm-74.66mm) (EXTD)**



Individual CAM Locators for 650-3-59 4th Axis Fixture

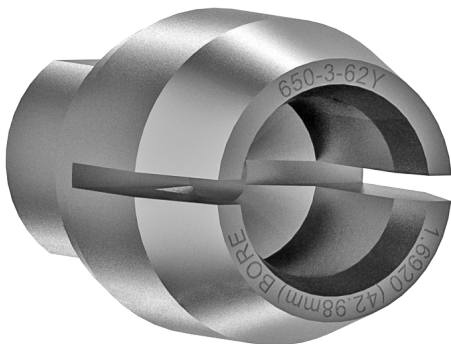
650-3-83M Locator, Cam, Expanding (2.3450 - 2.3470")
bore) (59.58 - 59.63mm)



650-3-83H Locator, Cam, Expanding (1.5670 - 1.5680")
bore) (39.80 - 39.82mm)



650-3-62Y Locator, Cam, Expanding (1.6920 - 1.6935")
bore) (42.98 - 43.01mm)



650-3-70N Locator, Cam, Expanding (1.7955 - 1.7975")
bore) (45.61 - 45.66mm)



650-3-70V Locator, Cam, Expanding (1.8480 - 1.8490")
bore) (46.94 - 46.96mm)



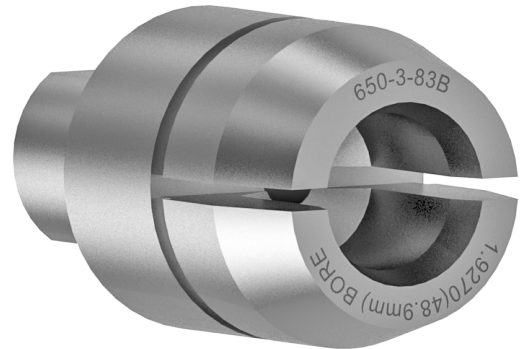
650-3-70G Locator, Cam, Expanding (1.8795 - 1.8810")
bore) (47.74 - 47.78mm)



650-3-70P Locator, Cam, Expanding (1.9155 - 1.9175" bore) (48.65 - 48.70mm)



650-3-83B Locator, Cam, Expanding (1.9270 - 1.9290" bore) (48.85 - 48.99mm)



650-3-70B Locator, Cam, Expanding (1.9990 - 2.0005" bore) (50.77 - 50.81mm)



650-3-70C Locator, Cam, Expanding (2.0090 - 2.0105" bore) (51.03 - 51.07mm)



650-3-83J Locator, Cam, Expanding (2.0190 - 2.0210" bore) (51.28 - 51.33mm)



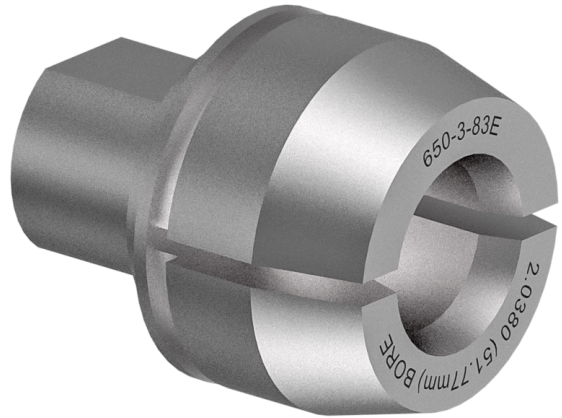
650-3-83G Locator, Cam, Expanding (2.0290 - 2.0305" bore) (51.53 - 51.57mm)



650-3-70S Locator, Cam, Expanding (2.0297 - 2.0317" bore) (51.55 - 51.61mm)



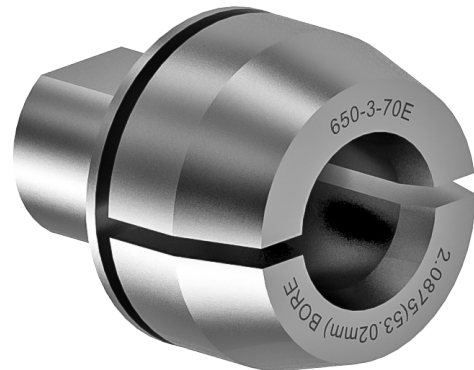
650-3-83E Locator, Cam, Expanding (2.0380 - 2.0400" bore) (51.77 - 51.82mm)



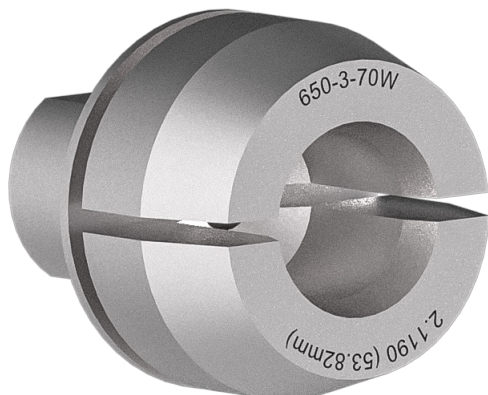
650-3-70R Locator, Cam, Expanding (2.0575 - 2.0585" bore) (52.56 - 52.29mm)



650-3-70E Locator, Cam, Expanding (2.0875 - 2.0890" bore) (53.02 - 53.06mm)



650-3-70W Locator, Cam, Expanding (2.1190 - 2.1205" bore) (53.82 - 53.86mm)



650-3-70M Locator, Cam, Expanding (2.1255 - 2.1265" bore) (53.99 - 54.01mm)



650-3-62W Locator, Cam, Expanding (2.1295 - 2.1280" bore) (54.08 - 54.05mm)



650-3-70Q Locator, Cam, Expanding (2.1410 - 2.1430" bore) (54.38 - 54.32mm)



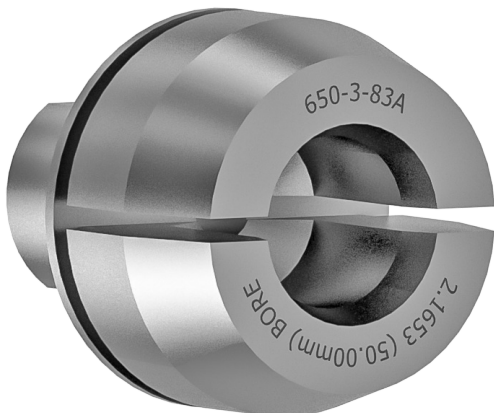
650-3-70K Locator, Cam, Expanding (2.1440 - 2.1455" bore) (54.46 - 54.50mm) (Extended length)



650-3-62Z Locator, Cam, Expanding (2.1440 - 2.1455" bore) (54.46 - 54.50mm)



650-3-83A Locator, Cam, Expanding (2.1653 - 2.1663" bore) (54.99 - 55.02mm)



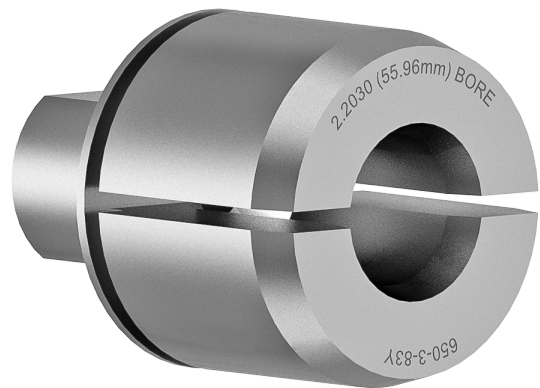
650-3-70U Locator, Cam, Expanding (2.1675 - 2.1685" bore) (55.05 - 55.08mm)



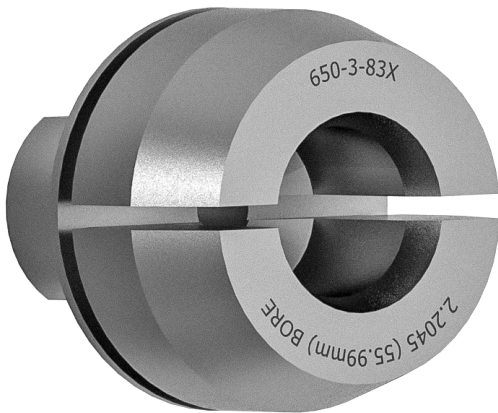
650-3-83K Locator, Cam, Expanding (2.1995 - 2.2005" bore) (55.86 - 55.89mm)



650-3-83Y Locator, Cam, Expanding (2.2030 - 2.2040" bore) (55.96 - 55.98mm)



650-3-83X Locator, Cam, Expanding (2.2045 - 2.2050" bore) (55.99 - 56.00mm)



650-3-83F Locator, Cam, Expanding (2.2080 - 2.2090" bore) (56.08 - 56.11mm)



650-3-70L Locator, Cam, Expanding (2.2305 - 2.2320" bore) (56.65 - 56.69mm)



650-3-62X Locator, Cam, Expanding (2.2490 - 2.2505" bore) (57.12 - 57.16mm)



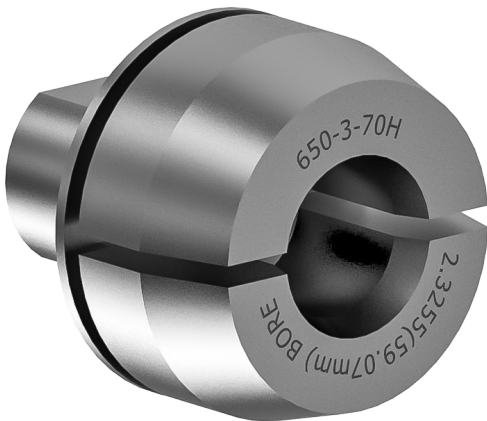
650-3-70A Locator, Cam, Expanding (2.2820 - 2.2835" bore) (57.96 - 58.00mm)



650-3-83 Locator, Cam, Expanding (2.3070 - 2.3974" bore) (58.90 - 60.89mm)



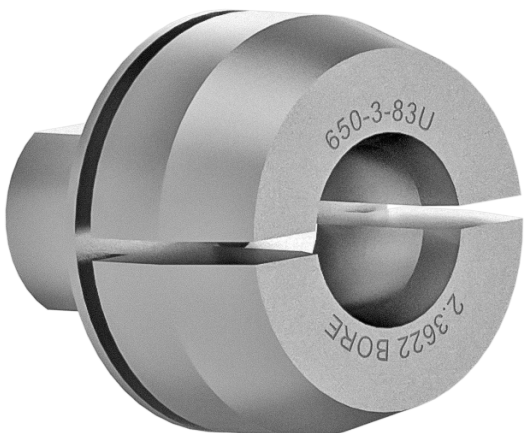
650-3-70H Locator, Cam, Expanding (2.3255 - 2.3270" bore) (59.07 - 59.11mm)



650-3-70J Locator, Cam, Expanding (2.3475 - 2.3490" bore) (59.60 - 59.66mm)



650-3-83U Locator, Cam, Expanding (2.3622") (60mm)



650-3-70X Locator, Cam, Expanding (2.3745 - 2.3755" bore) (60.31 - 60.34mm)



650-3-70Y Locator, Cam, Expanding (2.4000 - 2.4010" bore) (60.96 - 60.98mm)



650-3-83R Locator, Cam, Expanding (special 1.0" / 25.4mm extended) (2.4412 - 2.4427" Bore) (62.01 - 62.04mm)



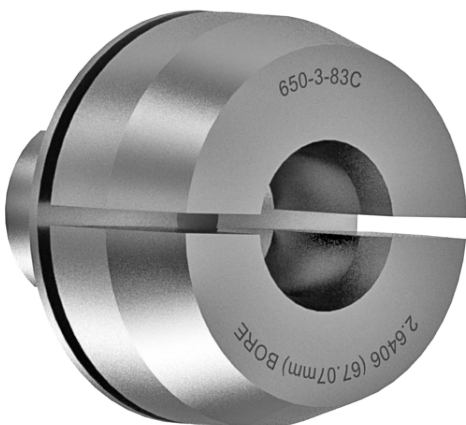
650-3-70 Locator, Cam, Expanding (2.4780 - 2.4795" bore) (62.94 - 62.98mm)



650-3-83L Locator, Cam, Expanding (2.5976 - 2.5992" bore) (65.97 - 66.01mm)



650-3-83C Locator, Cam, Expanding (2.6406 - 2.6416 "bore) (67.07 - 67.10mm)



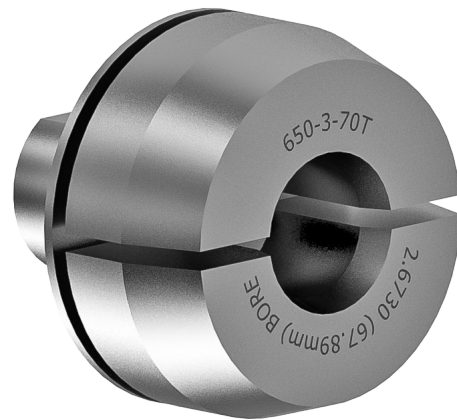
650-3-83P Locator, Cam, Expanding (special extended) (2.6406 - 2.6416" bore) (67.07 - 67.10mm)



650-3-70Z Locator, Cam, Expanding (2.6763 - 2.6773" bore) (67.98 - 68.00mm)



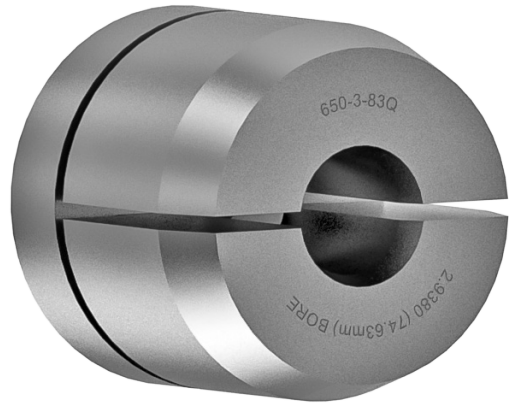
650-3-70T Locator, Cam, Expanding (2.6780 - 2.6740" bore) (67.89 - 67.92mm)



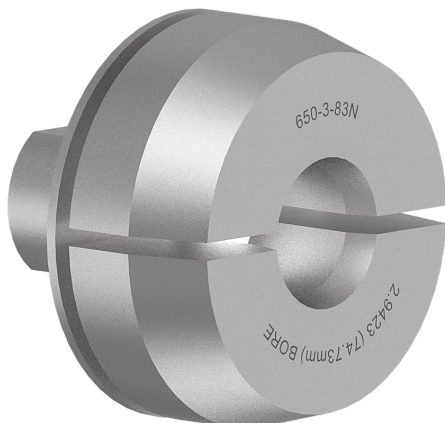
650-3-83V Locator, Cam, Expanding (2.9370 - 2.9380" bore) (74.60 - 74.63mm)



650-3-83Q Locator, Cam, Expanding (special extended) (2.9380 - 2.9395" bore) (74.63 - 74.66mm)



650-3-83N Locator, Cam, Expanding (2.9423 - 2.9430" bore) (74.73 - 74.75mm)



650-3-83W Locator, Cam, Expanding (3.0637 - 3.0645" bore) (77.82 - 77.84mm)



650-3-83S Locator, Cam, Expanding (special 1.0" / 25.4mm extended) (3.1922 - 3.1937" Bore) (81.08 - 81.12mm)



Main Bearing Locators for 650-3-1 Performance Fixture

If Customer Requires Sizes Other than Listed Below, Rottler will Manufacture the Required Size.

Customer Must Provide The Size, Including Tolerance, of the Bore/s the Locator will be used in. Rottler will use this Information to Design the Actual Locator. (Sold in Pairs)

502-1-47A Locator, Main Bearing Chevy V8 (350) Chevy V6 (4.3L) 2.6391" (67.033mm) Chevy V8 (400Sb) Chevy V6 (3.4L) 2.8390" (72.111mm) 1 pair



502-1-47B Locator, Main Bearing Chevy V8 (396/400Bb/454) 2.9365" (74.587mm) Buick V6 (231 Cu. In.) 2.6855" (68.21mm) 1 pair



502-1-47C Locator, Main Bearing Buick/Olds/Pontiac V8 (350/389/400) 3.1866" (80.940mm) Buick/Pontiac V8 (421/428/455) 3.4365" (87.287mm) 1 pair



502-1-47D Locator, Main Bearing Ford V8 (351C) 2.9402" (74.681mm) Ford V8 (351W / 429 / 460) 3.1907" (81.044mm) 1 pair



502-1-47E Locator, Main Bearing Ford V8 (289/302) 2.4397" (61.968mm) Mopar V8 (360) 3.0010" (76.225mm) 1 pair



502-1-47F Locator, Main Bearing Mopar V8 (318/340) 2.6910" (68.351mm) Mopar V8 (426 / 440) 2.9410" (74.701mm) 1 pair



502-1-47G Locator, Main Bearing Chevy V8 (283/327 Early) 2.4892" (63.226mm) Chevy V8 (5.3L 1999 & Newer) 2.7490" (69.825mm) Chevy Ls-1 2.7495" (69.825mm) 1 pair



502-1-47H Locator, Main Bearing With Brass Tipped Set Screws (3.3137 Diameter) Special Application



502-1-47J Locator, Main Bearing 928 Porsche V8 5L Block 2.953" (75.260mm) 1 pair



502-1-47K Locator, Main Bearing GM 6.5L/395 Cu. In. Diesel Application 3.1420" (79.807mm) 1 pair



502-1-47L Locator, Main Bearing Ford 4.6 (2.8491") Ford Zetec 2.4528" (62.301mm) 1 pair



502-1-47M Locator, Main Bearing Honda 1.8 (2.3216") Mitsubishi 2.0 - 2.4002" (60.965mm) 1 pair



502-1-47N Locator, Main Bearing AMC-Chrysler (2.9396" [74.666mm])



502-1-47P Locator, Main Bearing 7.3 OHC Diesel V8 3.315/3.316" (84.201/84.226mm) 3.0 Toyota V6 2.677/2.678" (67.996/68.021mm) 1 pair



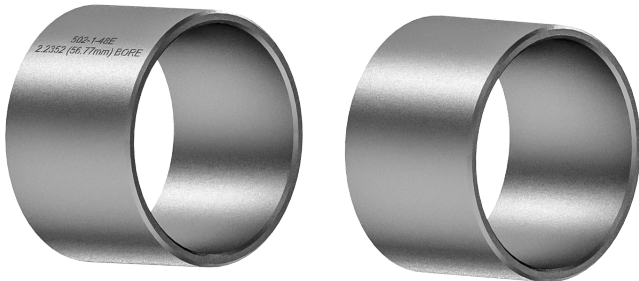
**502-1-47Q Locator, Main Bearing Holden V8 -
2.5906/2.5916" (65.801/65.827mm) 1 pair**



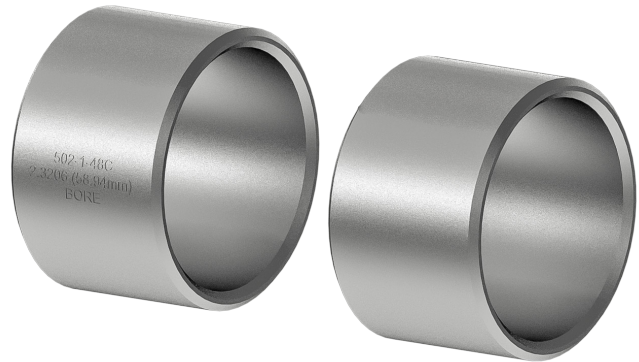
**502-1-47R Locator, Main Bearing 2.5 Liter Subaru
2.5185/2.5195" (63.970/63.996mm) 2.2 Liter Honda
2.1250/2.1260" (53.975/54.00mm) 1 pair**



502-1-48E Locator, Main Bearing (2.2347") (56.761mm)



502-1-48C Locator, Main Bearing (2.3191") (58.905mm)



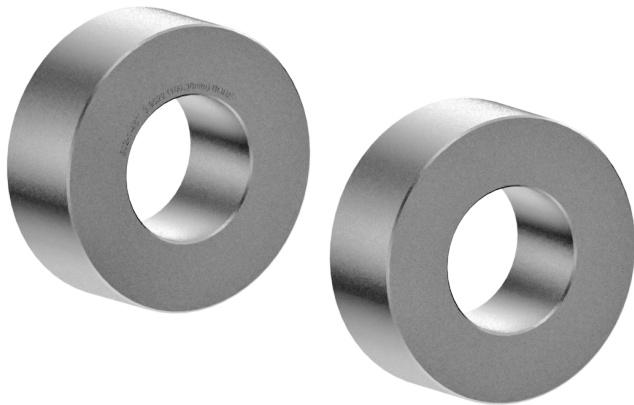
**502-1-48B Locator, Main Bearing (2.3196 - 2.5409")
(58.918 - 64.539mm)**



502-1-48R Locator, Main Bearing (2.3963") (60.86mm)



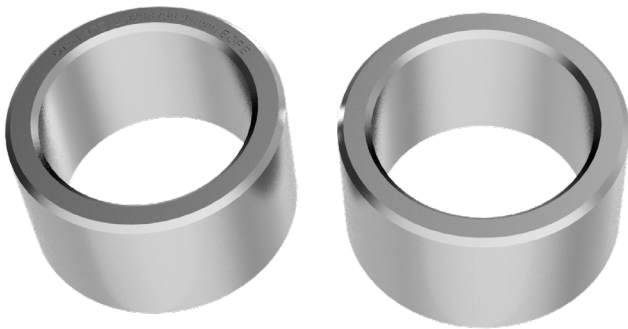
**502-1-47T Locator, Main Bearing (2.4910 - 2.4920")
(63.271 - 63.297mm)**



502-1-48D Locator, Main Bearing (2.5044") (63.612mm)



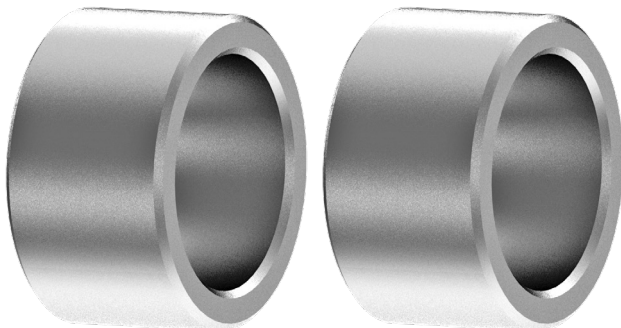
502-1-47Y Locator, Main Bearing (2.5184") (63.967mm)



502-1-47Z Locator, Main Bearing (2.6228") (66.619mm)



**502-1-47W Locator, Main Bearing (2.6601 - 2.6606")
(67.567 - 67.579mm)**



502-1-47X Locator, Main Bearing (2.6635") (67.653mm)



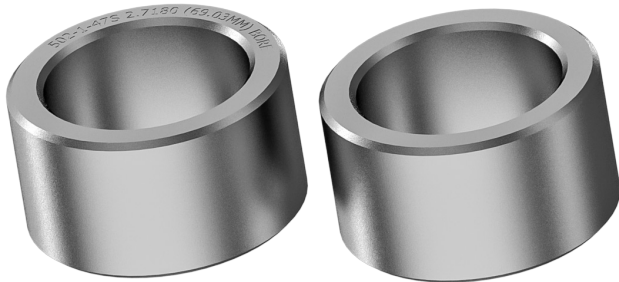
502-1-48J Locator, Main Bearing (2.6690") (67.79mm)



502-1-48V Locator, Main Bearing (2.7141") (68.93mm)



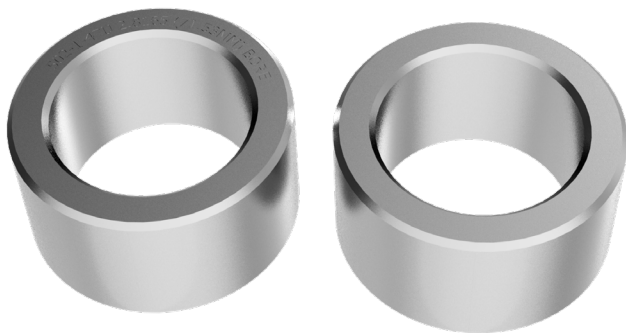
**502-1-47S Locator, Main Bearing (2.7190 - 2.7200")
(69.063 - 69.088mm)**



502-1-48H Locator, Main Bearing (2.7520") (69.90mm)



**502-1-47U Locator, Main Bearing (2.8175 - 2.8180")
(71.565 - 71.577mm)**



502-1-48F Locator, Main Bearing (2.8330") (71.958mm)



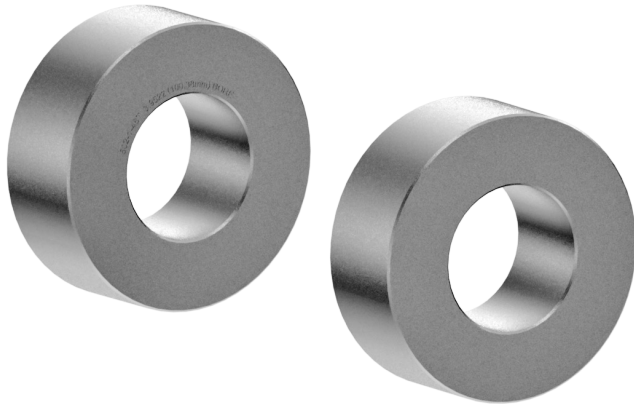
502-1-48W Locator, Main Bearing (2.8331") (71.965mm)



502-1-48X Locator, Main Bearing (2.8700") (72.90mm)



502-1-48T Locator, Main Bearing (2.9512") (74.96mm)



502-1-48G Locator, Main Bearing (2.9950 - 2.7556") (76.073 - 69.992mm)



502-1-48U Locator, Main Bearing (3.2269") (81.96mm)



502-1-47V Locator, Main Bearing (3.3854 - 3.3862") (85.989 - 86.009mm)



502-1-48S Locator, Main Bearing (3.4645") (87.99mm)



Individual CAM Locators for Performance Fixture (650-3-1)

650-3-14F Locator, Cam, Small Block (1.6920 - 1.6930" bore) (42.97 - 43.00mm)



650-3-14J Locator, Cam (1.7098 - 1.7118" bore) (43.42 - 43.47mm)



650-3-15U Locator, Cam (1.7945" bore) (45.58mm)



650-3-16E Locator, Cam (1.8490 - 1.8500" bore) (46.96 - 46.99mm)



650-3-14M Locator, Cam, Small Block (1.8745 - 1.8750" bore) (47.61 - 47.62mm)



650-3-14J Locator, Cam, Big Block, Chevy (1.8795 - 1.8805" bore) (47.73 - 47.76mm)



650-3-15L Locator, Cam (1.9170" bore) (48.69mm)



650-3-16F Locator, Cam (1.9275 - 1.9285" bore) (48.96 - 50.36mm)



650-3-16K Locator, Cam (1.9275 - 1.9285" bore) (48.96 - 48.98mm)



650-3-15E Locator, Cam (1.9355 - 1.9375" bore) (49.16 - 49.21mm)



650-3-14Y Locator, Cam (1.9685" bore) (49.99mm)



650-3-14R Locator, Cam (1.9990 - 2.0010" bore) (50.77 - 50.82mm)



650-3-14 Locator, Cam, Small Block (2.0090 - 2.0110" bore) (51.02 - 51.07mm)



650-3-14G Locator, Cam, Small Block (2.0190 - 2.0210" bore) (51.28 - 51.33mm)



650-3-15H Locator, Cam (2.0292 - 2.0310" bore) (51.51 - 51.58mm)



650-3-14N Locator, Cam (2.0297 - 2.0317" bore) (51.55 - 51.60mm)



650-3-15N Locator, Cam (2.0400 - 2.0415" bore) (51.81 - 51.85mm)



650-3-14C Locator, Cam, Small Block (2.0410 - 2.2501" bore) (51.84 - 57.15mm)



650-3-15S Locator, Cam (2.0450" bore) (51.94mm)



650-3-15R Locator, Cam (2.0600 - 2.0615" bore) (52.32 - 52.35mm)



650-3-14X Locator, Cam (2.0880" bore) (53.03mm)



650-3-16B Locator, Cam (2.0888 - 2.0895" bore) (53.05 - 53.07mm)



650-3-14P Locator, Cam (2.1200 - 2.1210" bore) (53.84 - 53.87mm)



650-3-14A Locator, Cam, Big Block, Chevy (2.1295 - 2.1305" bore) (54.08 - 57.16mm)



650-3-14E Locator, Cam, Small Block (2.1295 - 2.1305" bore) (54.80 - 54.1mm)



650-3-14H Locator, Cam, Big Block, Chevy (2.1395 - 2.1405" bore) (54.34 - 54.36mm)



650-3-16J Locator, Cam (2.1410 - 2.1420" bore) (54.38 - 54.40mm)



650-3-14D Locator, Cam, Small Block (2.1440 - 2.1450" bore) (54.45 - 54.48mm)



650-3-15K Locator, Cam (2.1500" bore) (54.61mm)



650-3-15V Locator, Cam (2.1580 - 2.1585" bore) (54.81 - 54.82mm)



650-3-16P Locator, Cam (2.1590 - 2.1600" bore) (54.83 - 54.86mm)



650-3-14W Locator, Cam (2.1680" bore) (55.06mm)



650-3-16A Locator, Cam (2.1680 - 2.1695" bore) (55.06 - 55.10mm)



650-3-16N Locator, Cam (2.1740 - 2.1750" bore) (55.21 - 55.24mm)



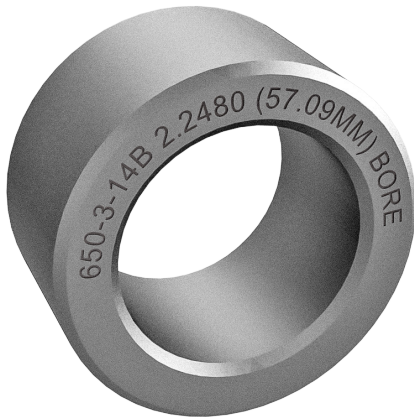
650-3-16M Locator, Cam (2.1890 - 2.1900" bore) (55.60 - 55.62mm)



650-3-14Z Locator, Cam (2.2305 - 2.2320" bore) (56.65 - 56.69mm)



650-3-14B Locator, Cam, Big Block, Ford (2.2485 - 2.2505" bore) (57.11 - 57.16mm)



650-3-16G Locator, Cam (2.2530 - 2.2545" bore) (57.22 - 57.26mm)



650-3-14Q Locator, Cam (2.2827 - 2.2831" bore) (57.98 - 57.99mm)



650-3-15P Locator, Cam (2.3000 - 2.3020" bore) (58.42 - 51.85mm)



650-3-15Z Locator, Cam (2.3075 - 2.3085" bore) (58.61 - 58.63mm)



650-3-14T Locator, Cam, Big Block (2.3080 - 2.3090" bore) (58.62 - 58.64mm)



650-3-14S Locator, Cam (2.3230 - 2.3240" bore) (59.00 - 59.02mm)



650-3-16H Locator, Cam (2.3270 - 3.3280" bore) (59.10 - 84.53mm)



650-3-15G Locator, Cam (2.3280 - 2.3290" bore) (59.13 - 59.15mm)



650-3-15Q Locator, Cam (2.3500 - 2.3515" bore) (59.69 - 59.72mm)



650-3-15M Locator, Cam (2.365" bore) (60.07mm)



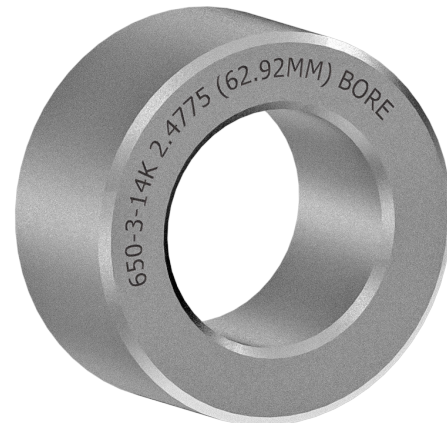
650-3-15F Locator, Cam (2.400 - 2.401" bore) (60.96 - 60.98mm)



650-3-16D Locator, Cam (2.4226 - 2.4260" bore) (61.53 - 61.62mm)



650-3-14K Locator, Cam, Big Block, Chevy (2.4780 - 2.4790" bore) (62.94 - 62.96mm)



650-3-14U Locator, Cam (2.4985 - 2.5005" bore) (63.46 - 63.51mm)



650-3-16L Locator, Cam (2.5590 - 2.5602" bore) (65.00 - 65.03mm)



650-3-15X Locator, Cam (2.6455 - 2.3460" bore) (67.19 - 59.58mm)



650-3-14L Locator, Cam (2.6733 - 2.6743" bore) (67.90 - 67.92mm)



650-3-15Y Locator, Cam (2.8305 - 2.8310" bore) (71.89 - 71.907mm)

